

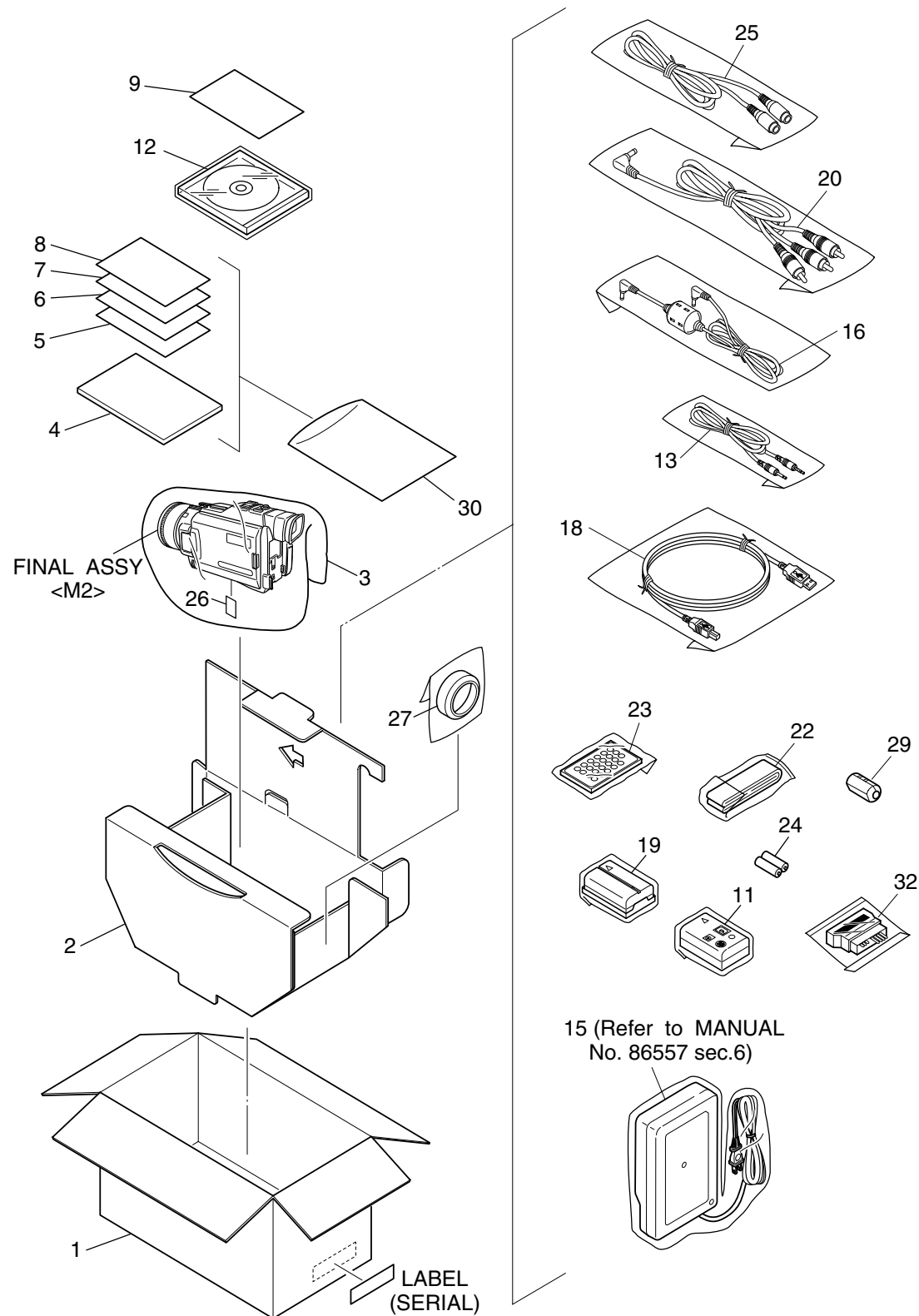
SECTION 5 PARTS LIST

SAFETY PRECAUTION

Parts identified by the \triangle symbol are critical for safety. Replace only with specified part numbers.

5.1 PACKING AND ACCESSORY ASSEMBLY <M1>

The instruction manual to be provided with this product will differ according to the destination.



\triangle REF No. PART No. PART NAME, DESCRIPTION

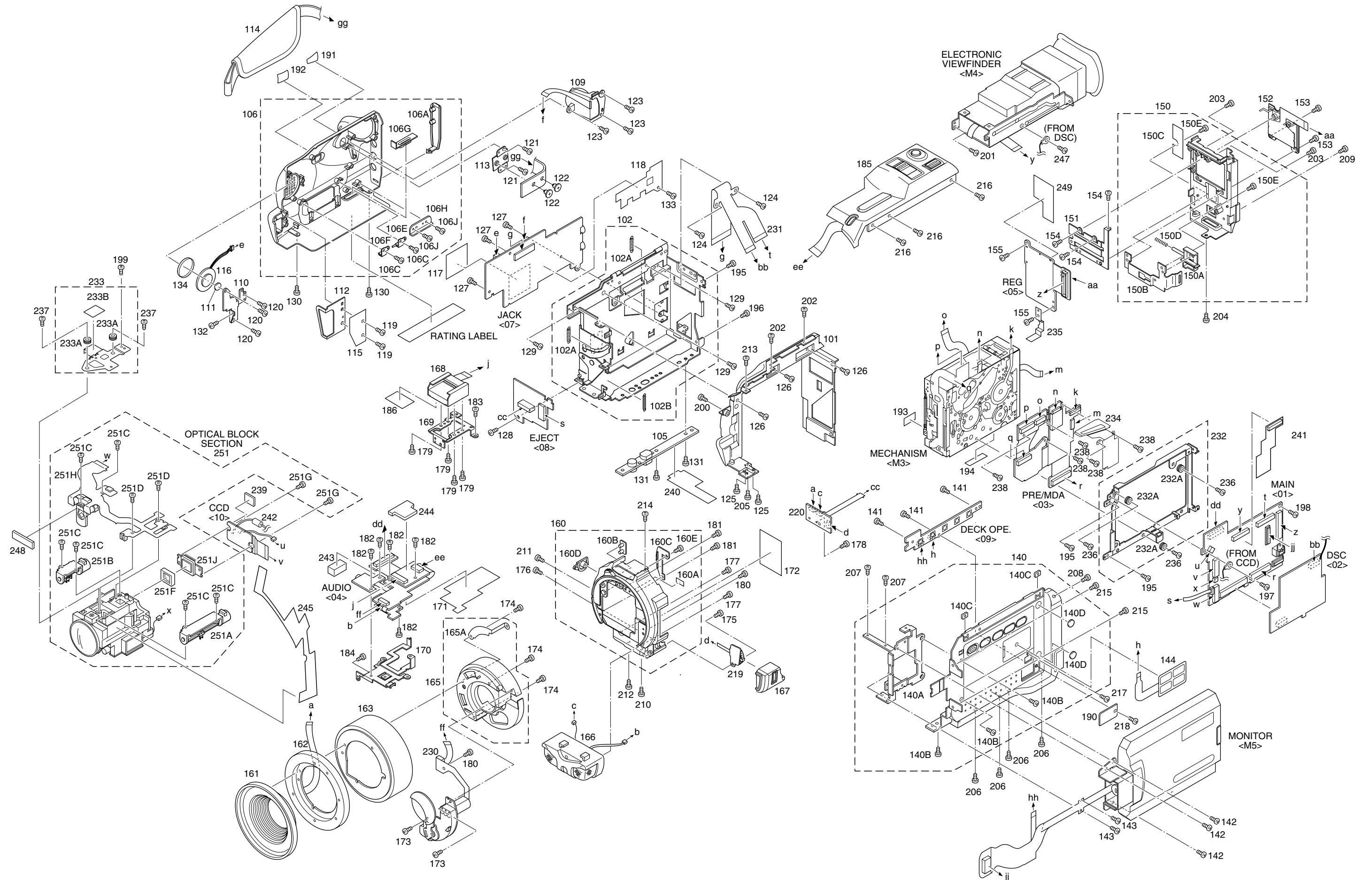
PACKING AND ACCESSORY ASSEMBLY <M1>

1	LY32164-002A	PACKING CASE,D
	LY32164-003A	PACKING CASE,B
	LY32212-001A	PACKING CASE,C
	LY32212-002A	PACKING CASE,A
2	LY20666-001B	CUSION
3	LY30023-020A	POLY BAG
\triangle 4	LYT0736-001A	INST.BOOK(EN),B,D
\triangle 4	LYT0736-002A	INST.BOOK(GE),A,C
\triangle 4	LYT0736-003A	INST.BOOK(FR),A,C
\triangle 4	LYT0736-004A	INST.BOOK(DU),A,C
	LYT0736-005A	INST.BOOK(SP),A,C
	LYT0736-006A	INST.BOOK(IT),A,C
\triangle 4	LYT0736-007A	INST.BOOK(DA),A,C
\triangle 4	LYT0736-008A	INST.BOOK(FI),A,C
	LYT0736-009A	INST.BOOK(SW),A,C
	LYT0736-010A	INST.BOOK(NO),A,C
\triangle 4	LYT0736-011A	INST.BOOK(RU),A,C
\triangle 4	LYT0736-012A	INST.BOOK(CZ),A,C
\triangle 4	LYT0736-013A	INST.BOOK(PO),A,C
	LYT0736-014A	INST.BOOK(HU),A,C
5	LYT0736-015A	INST.BOOK(PRINTER.GE),A,C
	LYT0736-016A	INST.BOOK(PRINTER.DU),A,C
	LYT0736-017A	INST.BOOK(PRINTER.IT),A,C
\triangle 4	LYT0736-018A	INST.BOOK(PRINTER.DA),A,C
	LYT0736-019A	INST.BOOK(PRINTER.FI),A,C
	LYT0736-020A	INST.BOOK(PRINTER.SW),A,C
	LYT0736-021A	INST.BOOK(PRINTER.NO),A,C
	LYT0736-022A	INST.BOOK(PRINTER.RU),A,C
	LYT0736-023A	INST.BOOK(PRINTER.CZ),A,C
\triangle 4	LYT0736-024A	INST.BOOK(PRINTER.PO),A,C
	LYT0736-025A	INST.BOOK(PRINTER.HU),A,C
	LYT0736-028A	INST.BOOK(PRINTER.EN),B,D
	LYT0736-029A	INST.BOOK(PRINTER.FR),A,C
	LYT0736-030A	INST.BOOK(PRINTER.SP),A,C
6	LYT0739-001A	INST.BOOK(SOFT.5LANG),A,C
	LYT0739-002A	INST.BOOK(SOFT.5LANG),A,C
	LYT0739-003A	INST.BOOK(SOFT.RU),A,C
	LYT0744-001A	INST.BOOK(SOFT.EN),B,D
7	LYT0162-024A	ACC.LEAFLET
8	LYT0378-003A	SHEET(AGREMENT)
9	BT-54013-2	WARRANTY CARD,A,C
	BT-54008-2	GUARANTY CARD,B,D
11	LY20677-002B	JACK BOX,CU-V504U
12	LY32210-001A	CD ROM
13	PEAC0428-150	CABLE ASSY,EDITING CABLE
\triangle 15	LY20591-003C	AC APOWER DAPTER/CHARGER,AA-V40EG,A,C
\triangle 15	LY20591-004B	AC APOWER DAPTER/CHARGER,AA-V40EK,B,D
16	QAM0301-001	DC CORD
18	QAM0322-001	USB CABLE
\triangle 19	LY31587-001A	BATTERY PACK,BN-V408U
20	QAM0291-001	CABLE ASSY,AUDIO/VIDEO CABLE
22	LY20186-001A	SHOULDER STRAP
23	LY20543-002A	REMOTE CONTROL UNIT,RM-V716U
24	-	BATTERY,AAA(R03),X2
25	QAM0004-004	S VIDEO CABLE
26	QAM0262-002	MULTIMEDIA CARD
27	LY32003-001B	LENS HOOD
29	QQR1081-002	CORE FILTER
30	QPA02003506	POLY BAG,A,C
	YQM30061-3	POLY BAG,B,D
32	QAM0302-001	CABLE ADAPTOR

MODEL	MARK
GR-DV1800EG	A
GR-DV1800EK	B
GR-DV2000EG	C
GR-DV2000EK	D

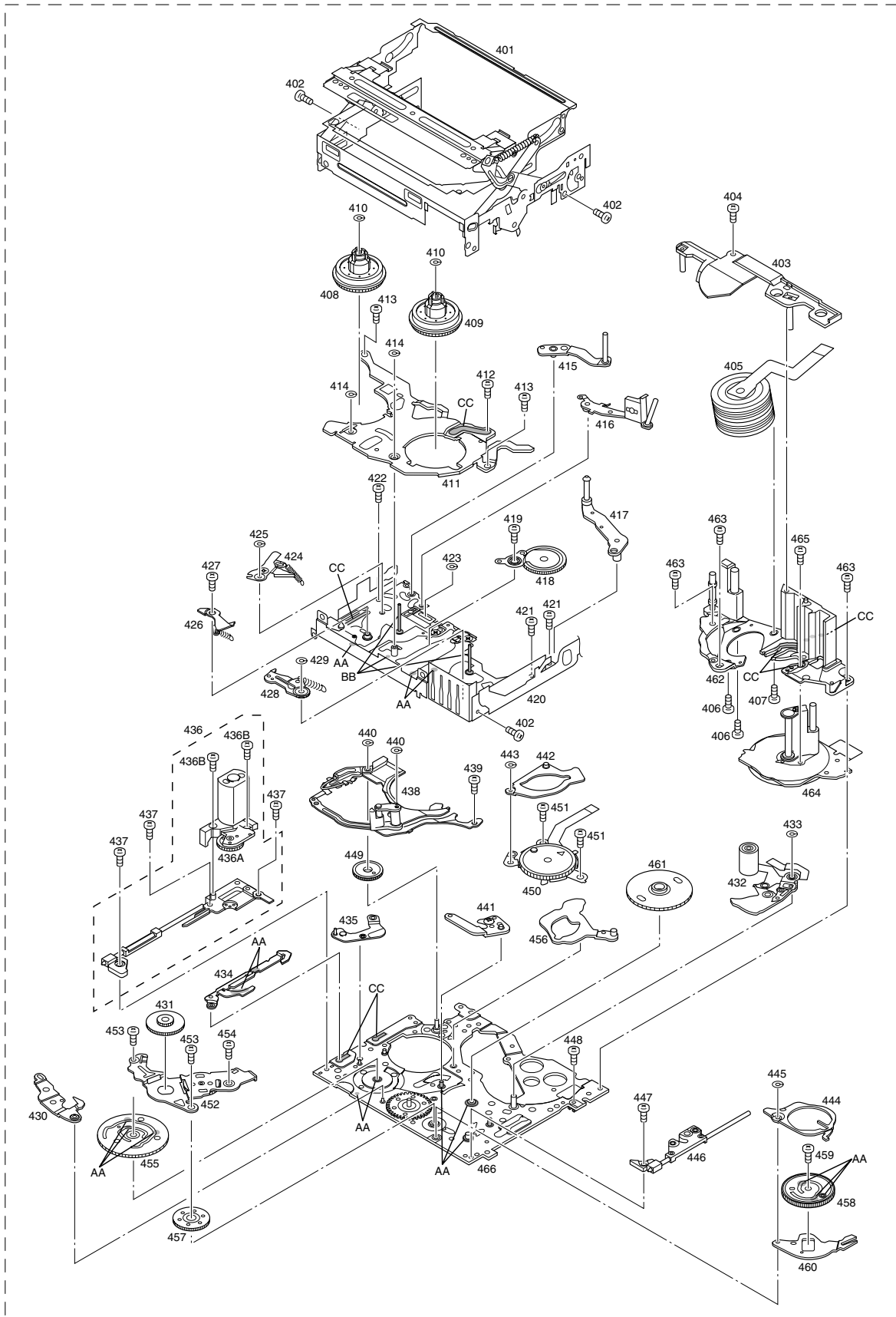
• INSTRUCTIONS

EN	ENGLISH
GE	GERMANY
FR	FRENCH
DU	DUTCH
SP	SPANISH
IT	ITALIAN
DA	DANISH
FI	FINNISH
SW	SWEDISH
NO	NORWEGIAN
RU	RUSSIAN
CZ	CZECH
PO	POLISH
HU	HUNGARIAN



#	△ REF No.	PART No.	PART NAME, DESCRIPTION	#	△ REF No.	PART No.	PART NAME, DESCRIPTION	

FINAL ASSEMBLY <M2>								
		101	LY10266-001A			174	LY30018-0A1A	SPECIAL SCREW,X3
		102	LY31964-001G			175	LY30018-021A	SPECIAL SCREW
		102A	LY30002-046B			176	LY30018-037A	SPECIAL SCREW
		102B	LY42814-001A			177	LY30018-037A	SPECIAL SCREW,X2
		105	LY31984-001B			178	LY30018-021A	SPECIAL SCREW
△		106	LY20657-002C			179	LY30018-031A	SPECIAL SCREW,X4
		106A	LY31973-001A			180	LY30018-052A	SPECIAL SCREW,X2
		106C	LY30018-021A			181	LY30018-0C1A	SPECIAL SCREW,X2
		106E	LY32045-001A			182	LY30018-032A	SPECIAL SCREW,X5
		106F	LY32045-002A			183	LY30018-032A	SPECIAL SCREW
		106G	LY42786-001A			184	LY30018-021A	SPECIAL SCREW
		106H	LY42787-001A			185	LY10262-002A	ZOOM OPE.UNIT
		106J	LY30018-037A			186	LY30029-0D1A	SPACER(A)
		109	LY20653-002A			190	LY41393-004A	COVER(JIG CONN)
		110	LY31977-001A			191	LY42790-001B	COVER(CASS)
		111	LY42918-001B			192	LY32039-001B	COVER(CASS.R)
		112	LY42788-001B			193	LY40699-002A	LABEL(PUSH)
		113	LY42789-001B			194	LY32001-002A	LABEL(HOUSING)
		114	LY20658-002A			195	QYSPSPT1715Z	SCREW,X3
		115	LY43019-001A			196	LY30018-017A	SPECIAL SCREW
		116	QAS0063-001			197	LY42424-001A	SPECIAL SCREW
		117	LY42878-001C			198	LY30019-002A	SPECIAL SCREW
		118	LY42881-001C			199	LY30018-006B	SPECIAL SCREW
		119	QYSLSF2040D			200	LY30018-006B	SPECIAL SCREW
		120	LY30018-021A			201	LY30018-059A	SPECIAL SCREW
		121	QYSLSF2040D			202	LY30018-006B	SPECIAL SCREW,X2
		122	LY30018-0C7A			203	LY30018-0C2A	SPECIAL SCREW,X2
		123	LY30018-0B7A			204	LY30018-011A	SPECIAL SCREW
		124	LY30018-005A			205	LY30018-044A	SPECIAL SCREW
		125	LY30018-080A			206	LY30018-044A	SPECIAL SCREW,X4
		126	LY30018-006B			207	LY30018-006B	SPECIAL SCREW,X2
		127	QYSPSPT1720R			208	LY30018-044A	SPECIAL SCREW
		128	QYSPSPT1720R			209	LY30018-011A	SPECIAL SCREW
		129	LY30018-0B7A			210	LY30018-044A	SPECIAL SCREW
		130	LY30018-038A			211	LY30018-059A	SPECIAL SCREW
		131	LY30018-006B			212	LY30018-063A	SPECIAL SCREW
		132	LY30018-032A			213	LY30018-006B	SPECIAL SCREW
		133	LY30018-0B7A			214	LY30018-006B	SPECIAL SCREW
		134	LY40301-001A			215	LY30018-059A	SPECIAL SCREW,X2
△		140	LY20659-003A			216	LY30018-006B	SPECIAL SCREW,X3
		140A	LY31981-001A			217	LY30018-006B	SPECIAL SCREW
		140B	LY30018-0A8A			218	LY30018-026A	SPECIAL SCREW
		140C	LY40162-001A			219	LY32072-001A	MENU SW UNIT
		140D	LY40664-001A			220	LY32071-001A	FRONT FPC UNIT
		141	LY30018-020A			230	LY20676-001C	LENS SHUTTER ASSY
		142	LY30018-042A			231	QAL0260-001	FPC,JACK CN301
		143	LY30018-055A			232	LY32066-001A	BRACKET(MECHA)ASSY
		144	LY32051-002A			232A	LY42796-001A	BUSH,X3
		150	LY31986-002B			233	LY32067-001B	BRACKET(OP)ASSY
		150A	LY31988-001D			233A	LY42796-001A	BUSH,X2
		150B	LY31989-001A			233B	LY30029-0C6A	SPACER(A)
		150C	LY42792-001A			234	LY32012-001A	SHIELD COVER(PR)
		150D	LY30002-048A			235	LY42889-001A	SHIELD(REG)
		150E	LY30018-066A			236	LY30019-028A	SPECIAL SCREW,X3
		151	LY31987-001A			237	LY30019-029B	SPECIAL SCREW,X2
		152	LY20660-001C			238	QYSPSPT1414M	SCREW,X5
		153	LY30018-038A			239	LY30029-0E6A	SPACER(A)
		154	LY30018-019A			240	LY43002-001A	HEAT SINK(BASE)
		155	LY30018-060A			241	LY42972-001A	HEAT SINK(MAIN)
		160	LY20661-002A			242	LY32194-001B	LUG WIRE ASSY
		160A	LY30029-0B1A			243	LY30029-0C8A	SPACER(A)
		160B	LY31992-001A			244	LY42952-001A	SHEET(AUDIO)
		160C	LY31993-001A			245	LY42951-001B	SHEET(OP)
		160D	LY31995-001A			247	QYSPSPT1712M	SCREW
		160E	LY30018-0A7A			248	LY30029-0F3A	SPACER(A)
		161	LY32009-001B			249	LY42978-001B	SPACER(REG PWB)
		162	LY20654-001A			- OPTICAL BLOCK SECTION -		
		163	LY31996-002A			251	J9C-201A	OPTICAL BLOCK ASSY
		165	LY42840-001B			251A	LY31901-001A	ZOOM MOTOR
		165A	LY42841-001B			251B	LY31902-001A	FOCUS MOTOR
		166	LY20664-001B			251C	LY30727-002A	SCREW,X6
		167	LY31997-002A			251D	LY30727-001A	SCREW,X2
		168	LY42949-001A			251F	LY31900-001A	SPACER RUBBER
		169	LY31999-001A			251G	QYSPSGU1750Z	SCREW,X2
		170	LY20665-001A			251H	LY31903-001A	IRIS MOTOR UNIT
		171	LY42913-001A			251J	LYH40136-002A	CCD BASE ASSY
		172	LY42920-001A					
		173	LY30018-021A					



Classification	Part No.	Symbol in drawing
Grease	KYODO-SH-P	AA
Oil	YTU94027	BB
Grease (HANARL)	RX-410R	CC

NOTE: The section marked in **AA** and **BB**, **CC** indicate lubrication and greasing areas.

▲ REF No. PART No. PART NAME, DESCRIPTION

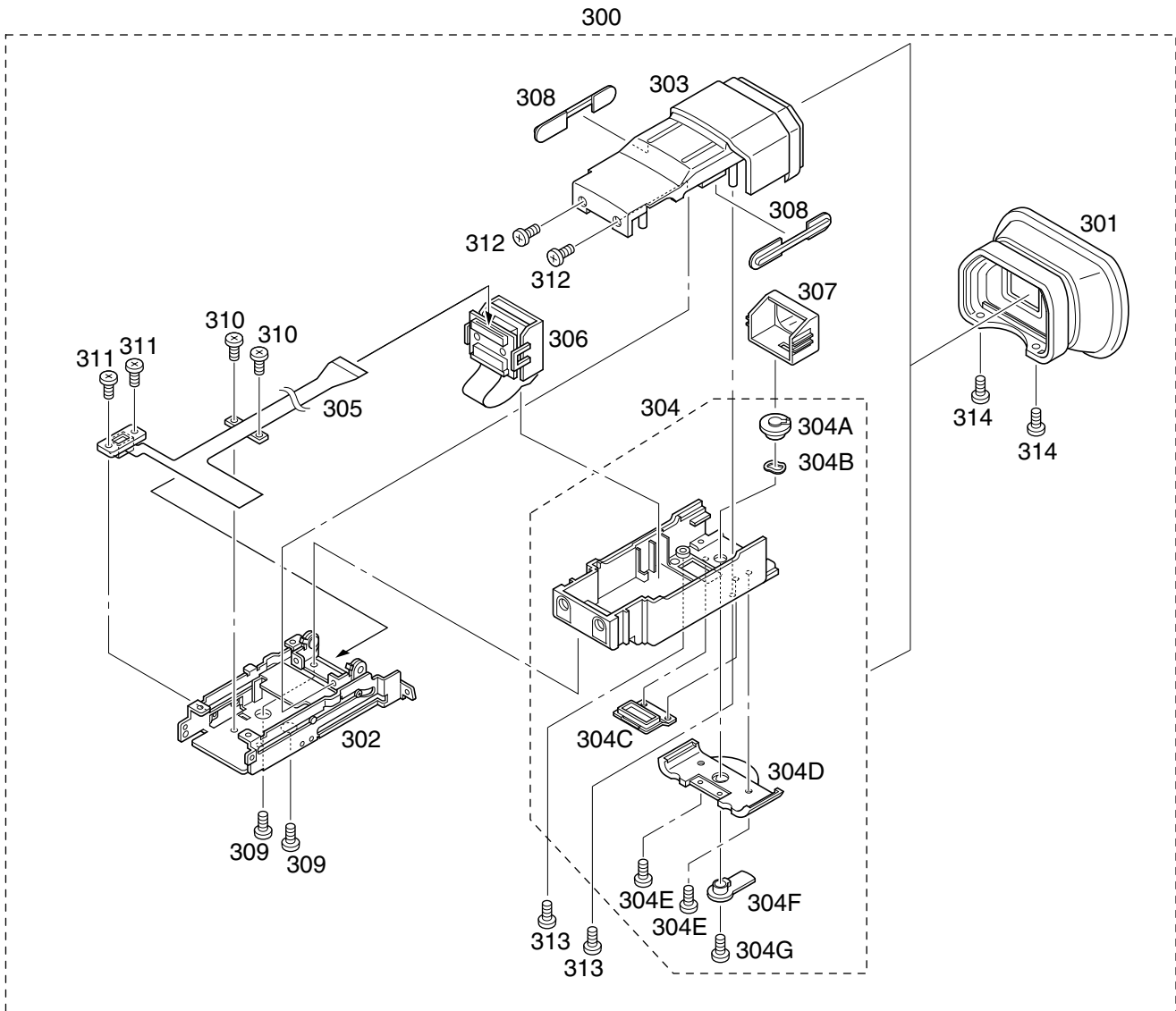
MECHANISM ASSEMBLY <M3>

400	YMA0029A	MECHA(A)ASSY
401	LY31543-002B	CASSETTE HOUSING ASSY
402	YQ43893-8	MINI SCREW,X3
403	LY31542-001D	UPPER BASE ASSY
404	YQ43893	MINI SCREW
405	YDV2096A	DRUM ASSY
406	LY42820-001A	DAMPER SCREW ASSY,X2
407	LY42820-002A	DAMPER SCREW ASSY
408	LY31538-001B	REEL DISK ASSY
409	LY31538-002B	REEL DISK ASSY
410	YQ44246	SLIT WASHER,X2
411	LY10217-001A	REEL COVER ASSY
412	LY42120-001A	MINI SCREW
413	LY41945-003A	MINI SCREW,X2
414	YQ44246	SLIT WASHER,X2
415	LY42025-001A	TENSION ARM ASSY
416	LY31535-001A	SLANT POLE ARM ASSY
417	LY42031-001C	TU ARM ASSY
418	LY31531-001A	SWING ARM ASSY
419	YQ43893	MINI SCREW
420	LY20530-001C	SLIDE DECK F.ASSY
421	YQ43893	MINI SCREW,X2
422	LY43023-001A	MINI SCREW
423	YQ44246	SLIT WASHER
424	LY31533-001C	PAD ARM ASSY
425	YQ44246	SLIT WASHER
426	LY42014-001A	SUP BRAKE ASSY
427	YQ43893	MINI SCREW
428	LY42016-001A	TU BRAKE ASSY
429	YQ44246	SLIT WASHER
430	LY41959-001A	TENSION CONTROL LEVER ASSY
431	LY31525-001A	CENTER GEAR
432	LY31516-001B	PINCH ROLLER ARM FINAL ASSY
433	YQ44246	SLIT WASHER
434	LY41956-001B	TENSION CONTROL PLATE ASSY
435	LY41962-001A	BRAKE CONTROL LEVER ASSY
436	LY20525-001D	MOTOR BRACKET ASSY
436A	QAR0138-001	LOADING MOTOR
436B	LY41940-001A	TAPPING SCREW,X2
437	YQ43893	MINI SCREW,X3
438	LY20528-001B	GUIDE RAIL ASSY
439	YQ43893	MINI SCREW
440	YQ44246	SLIT WASHER,X2
441	LY31498-002B	SLIDE LEVER2 ASSY
442	LY41965-001A	LOADING PLATE ASSY
443	YQ44246	SLIT WASHER
444	LY31522-001A	EJECT LEVER
445	YQ44246	SLIT WASHER
446	LY41929-001A	BASE R ASSY
447	YQ43893	MINI SCREW
448	LY41945-001A	MINI SCREW
449	LY41930-001A	MODE GEAR
450	QSW0876-001	ROTARY ENCODER
451	YQ43893	MINI SCREW,X2
452	LY31524-001A	GEAR COVER ASSY
453	YQ43893	MINI SCREW,X2
454	YQ43893-4	MINI SCREW
455	LY41948-001A	MAIN CAM ASSY
456	LY41941-001A	SLIDE ARM ASSY

▲ REF No. PART No. PART NAME, DESCRIPTION

457	LY41951-001A	CONNECT GEAR 2
458	LY41954-001A	SUB CAM ASSY
459	LY42120-001A	MINI SCREW
460	LY41952-001A	CONTROL ARM ASSY
461	LY31523-001A	REEL GEAR 1
462	LY31508-001B	DRUM BASE ASSY
463	QYSPSPU1425M	SCREW,X3
464	QAR0142-001	CAPSTAN MOTOR
465	YQ43893	MINI SCREW
466	LY10210-001A	MAIN DECK ASSY

5.4 ELECTRONIC VIEWFINDER ASSEMBLY <M4>



▲ REF No. PART No. PART NAME, DESCRIPTION

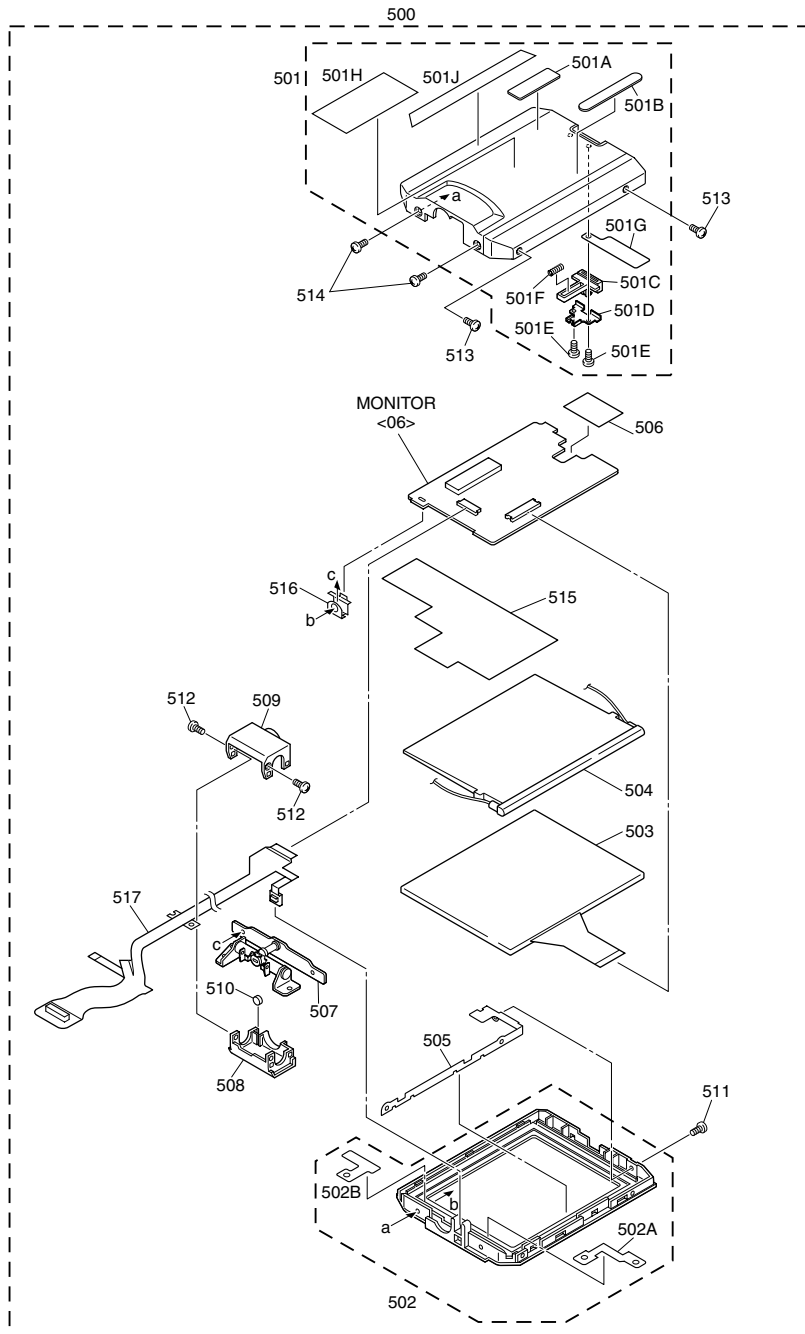
ELECTRONIC VIEWFINDER ASSEMBLY <M4>

#	REF No.	PART No.	PART NAME, DESCRIPTION
300	LY20671-002C	VF UNIT	
301	PTY20671-001	EYE CAP	
302	PTY20671-011	BRACKET(VF)ASSY	
303	PTY20671-021	UPPER CASE ASSY	
304	PTY20671-031	BOTTOM CASE ASSY	
304A	PTY20671-032	LINK(VF)	
304B	PTY20671-033	WAVE WASHER	
304C	PTY20671-034	CAP	
304D	PTY20671-035	COVER(CAP)	

▲ REF No. PART No. PART NAME, DESCRIPTION

304E	PTY30018-0C8A	SCREW,X2
304F	PTY20671-037	LEVER(VF)
304G	LY30018-063A	SCREW
305	LY32070-001B	VF FPC ASSY
306	PTY20671-041	LCD UNIT
307	PTY20671-051	LENS ASSY
308	PTY20671-061	RIB,X2
309	LY30018-084A	SCREW,X2
310	LY30018-031A	SCREW,X2
311	LY30018-006B	SCREW,X2
312	LY30018-067B	SCREW,X2
313	LY30018-084A	SCREW,X2
314	LY30019-034A	SCREW,X2

5.5 MONITOR ASSEMBLY <M5>



#	△	REF No.	PART No.	PART NAME, DESCRIPTION	#	△	REF No.	PART No.	PART NAME, DESCRIPTION
---	---	---------	----------	------------------------	---	---	---------	----------	------------------------

MONITOR ASSEMBLY <M5>

△	500	LYH20192-003A	MONITOR ASSY,C,D
△		LYH20192-004A	MONITOR ASSY,A,B
△	501	LY32013-003C	MONITOR COVER ASSY,C,D
△		LY32013-004B	MONITOR COVER ASSY,A,B
	501A	LY42883-002A	MARK
	501B	LY42798-001A	MARK
	501C	LY32014-001A	KNOB(LOCK)
	501D	LY42799-001A	BRACKET(LOCK)
	501E	LY30018-019A	SPECIAL SCREW,X2
	501F	LY30002-047A	COMPRESSION SPRING
	501G	LY42800-001A	SHEET(LOCK)
	501H	LY42980-002A	STICKER(2),C,D
		LY42980-003A	STICKER(2),A,B
	501J	LY42979-002B	STICKER(1)

#	△	502	LY32015-001D	MONITOR CASE ASSY
		502A	LY42801-001B	SHEET(EARTH.1)
		502B	LY42971-001B	SHEET(EARTH3)
		503	QLD0115-003	LCD MODULE
		504	QLL0091-001	BACK LIGHT
		505	LY32016-001A	BRACKET(MONITOR CASE)
		506	LY30029-0C4A	SPACER(A)
		507	LY32017-001C	HINGE ASSY
		508	LY32018-001A	HINGE COVER(U)
		509	LY32019-001A	HINGE COVER(L)
		510	LY42355-001A	MAGNET
		511	LY30018-053A	SPECIAL SCREW
		512	LY30018-0A2A	SPECIAL SCREW,X2
		513	LY30018-053A	SPECIAL SCREW,X2
		514	LY30018-028A	SPECIAL SCREW,X2
		515	LY42843-001C	MONITOR SHIELD PLATE
		516	LY41726-001A	PLATE(EARTH)
		517	LY20681-001A	FPC ASSY(LCD)

5.6 ELECTRICAL PARTS LIST

MODEL	MARK	MODEL	MARK
GR-DV1800EG	A	GR-DV2000EG	C
GR-DV1800EK	B	GR-DV2000EK	D

#	△ REF No.	PART No.	PART NAME, DESCRIPTION

MAIN BOARD ASSEMBLY <01>			
PW		YB10301C-03	MAIN BOARD ASSY,C,D
		YB10301D-03	MAIN BOARD ASSY,A,B
IC1001		YQ44893A	CSP IC ASSY,C,D
		YQ44895A	CSP IC ASSY,A,B
IC1002		RS5C314	IC
IC1003		X25330S8I-2.5-X	IC
		or AT25320N-10SI-X	IC
		or 25LC320-I/SN-X	IC
IC1004		TC7W08FU	IC(DIGITAL)
IC1005		TC7W66FU	IC(DIGITAL)
IC1007		MB90097PFV139	IC(MICRO C ROM)
IC1008		TC74VHC08FT	IC(DIGITAL)
IC1201		BA6417F	IC
IC1301		TC7SH32FU	IC(DIGITAL)
IC1302		TC7S02FU	IC(DIGITAL)
IC1401		YQ44894A	CSP IC ASSY
IC1403		TC7W53FU	IC(DIGITAL)
		or SN74AHC2G53T	IC
IC3001		JCY0133	IC
IC3002		JCY0136	IC
IC3302		TLC2940IPW	IC
IC3701		NJM2538V	IC
IC3702		MM1385HN	IC
IC3901		JCP8029	IC,C,D
IC3903		SN74AHC1G04K	IC,C,D
		or TC7S04FU	IC(DIGITAL),C,D
IC3951		MM1504XN	IC,C,D
IC4201		HD49325BHF	IC
IC4202		RH5RZ31CA	IC
IC4301		YQ44871A	CSP ASSY
IC4302		MM1385NN	IC
IC4401		BU2501FV	IC
IC4802		TA75W01FU	IC
IC4803		TA75W01FU	IC
IC4804		NJM3414AV	IC
IC4805		MM6564XFBE	IC
IC4806		TC7W00FK	IC
IC4807		TC7W66FK	IC
IC4808		TC7S66FU	IC(DIGITAL)
IC4851		UPD16879GS	IC
IC4901		TA75W01FU	IC
IC4902		TA75W01FU	IC
IC4903		MM6564XFBE	IC
IC4904		NJM3414AV	IC
IC5001		JCY0138	IC
IC5002		MM1385DN	IC
IC5004		W194-70G-X	IC
IC6001		S-80842ANNP-W	IC
IC6002		S-817A33ANB-W	IC
IC6003		S-814A30AMC-W	IC
IC6004		S-80826ANNP-W	IC
Q1001		DTC143EE	TRANSISTOR
		or RN1101	TRANSISTOR
		or UN921LJ	TRANSISTOR
Q1002		2SC4617/QR/-X	TRANSISTOR
Q1003		DTC124EE	TRANSISTOR
		or RN1103	TRANSISTOR
		or UN9212J	TRANSISTOR
Q1301		2SC4617/RS/-X	TRANSISTOR

#	△ REF No.	PART No.	PART NAME, DESCRIPTION
		Q1401	DTA114EE
		or RN2102	TRANSISTOR
		or UN9111J	TRANSISTOR
		Q1402	UMC3N
		Q1403	UMC3N
		Q1404	DTC144EE
		or UN9213J	TRANSISTOR
		or RN1104	TRANSISTOR
		Q2001	NDS352AP
		Q2002	2SK1830
		Q3701	DTC144EE
		or UN9213J	TRANSISTOR
		or RN1104	TRANSISTOR
		Q3702	2SC4617/RS/-X
		Q3951	UMZ1N
		Q3952	DTC144EE
		or UN9213J	TRANSISTOR,C,D
		or RN1104	TRANSISTOR,C,D
		Q3953	UMZ1N
		Q3954	2SC4617/RS/-X
		Q4351	2SA1832FT/G/-X
		Q4352	UMT2N
		Q4353	UMT2N
		Q4354	2SA1832FT/G/-X
		Q4801	2SC4655/BC/-X
		Q4802	2SC4617/RS/-X
		Q4803	DTC144EE
		or UN9213J	TRANSISTOR
		or RN1104	TRANSISTOR
		Q4804	DTA144EE
		or RN2104	TRANSISTOR
		or UN9113J	TRANSISTOR
		Q4851	2SC4617/RS/-X
		Q4901	2SC4655/BC/-X
		Q6001	CPH3304
		Q6002	2SK3019
		or 2SK1830	MOS FET
		Q6003	2SJ347
		Q6004	2SK3019
		or 2SK1830	MOS FET
		Q6005	DTC144EE
		or UN9213J	TRANSISTOR
		or RN1104	TRANSISTOR
		Q6006	CPH3304
		Q6007	RN47A3
		D1002	DA221
		D1201	DAP222
		D1301	RB715F
		D2001	EMZ6.8N
		D2002	EMZ6.8N
		D2003	EMZ6.8N
		D2004	EMZ6.8N
		D2005	SBS006
		D3002	EC2C01C
		D3301	EC2C01C
		D3302	EC2C01C
		D4101	1SS355
		D4801	DAN222
		D4802	DAN222
		D4803	DAN222
		△ D6001	RB706D-40-X
		D6002	RB715F
		R1001	NRSA6AJ-0R0W

0Ω,1/16W

#	△ REF No.	PART No.	PART NAME, DESCRIPTION	#	△ REF No.	PART No.	PART NAME, DESCRIPTION
R1002		NRSA6AJ-473W	MG RESISTOR 47kΩ, 1/16W	R1069		NRSA6AJ-0R0W	MG RESISTOR, C,D 0Ω, 1/16W
R1003		NRSA6AJ-102W	MG RESISTOR 1kΩ, 1/16W	R1070		NRSA6AJ-0R0W	MG RESISTOR 0Ω, 1/16W
R1004		NRSA6AJ-473W	MG RESISTOR 47kΩ, 1/16W	R1071		NRSA6AJ-0R0W	MG RESISTOR 0Ω, 1/16W
R1005		NRSA6AJ-473W	MG RESISTOR 47kΩ, 1/16W	R1072		NRSA6AJ-101W	MG RESISTOR 100Ω, 1/16W
R1006		NRSA6AJ-104W	MG RESISTOR 100kΩ, 1/16W	R1073		NRSA6AJ-101W	MG RESISTOR 100Ω, 1/16W
R1007		NRSA6AJ-472W	MG RESISTOR 4.7kΩ, 1/16W	R1074		NRSA6AJ-0R0W	MG RESISTOR 0Ω, 1/16W
R1008		NRSA6AJ-103W	MG RESISTOR 10kΩ, 1/16W	R1075		NRSA6AJ-102W	MG RESISTOR 1kΩ, 1/16W
R1009		NRSA6AJ-224W	MG RESISTOR 220kΩ, 1/16W	R1076		NRSA6AJ-102W	MG RESISTOR 1kΩ, 1/16W
R1010		NRSA6AJ-334W	MG RESISTOR 330kΩ, 1/16W	R1077		NRSA6AJ-102W	MG RESISTOR 1kΩ, 1/16W
R1011		NRSA6AJ-473W	MG RESISTOR 47kΩ, 1/16W	R1078		NRSA6AJ-0R0W	MG RESISTOR 0Ω, 1/16W
R1012		NRSA6AJ-102W	MG RESISTOR 1kΩ, 1/16W	R1079		NRSA6AJ-103W	MG RESISTOR 10kΩ, 1/16W
R1013		NRSA6AJ-0R0W	MG RESISTOR 0Ω, 1/16W	R1080		NRSA6AJ-104W	MG RESISTOR 100kΩ, 1/16W
R1014		NRSA6AJ-473W	MG RESISTOR 47kΩ, 1/16W	R1081		NRSA6AJ-223W	MG RESISTOR 22kΩ, 1/16W
R1015		NRSA6AJ-473W	MG RESISTOR 47kΩ, 1/16W	R1082		NRSA6AJ-393W	MG RESISTOR 39kΩ, 1/16W
R1016		NRSA6AJ-473W	MG RESISTOR 47kΩ, 1/16W	R1083		NRSA6AJ-104W	MG RESISTOR 100kΩ, 1/16W
R1017		NRSA6AJ-102W	MG RESISTOR 1kΩ, 1/16W	R1084		NRSA6AJ-103W	MG RESISTOR 10kΩ, 1/16W
R1018		NRSA6AJ-102W	MG RESISTOR 1kΩ, 1/16W	R1085		NRSA6AJ-822W	MG RESISTOR 8.2kΩ, 1/16W
R1019		NRSA6AJ-104W	MG RESISTOR 100kΩ, 1/16W	R1086		NRSA6AJ-123W	MG RESISTOR 12kΩ, 1/16W
R1020		NRSA6AJ-102W	MG RESISTOR 1kΩ, 1/16W	R1087		NRSA6AJ-473W	MG RESISTOR 47kΩ, 1/16W
R1021		NRSA6AJ-102W	MG RESISTOR 1kΩ, 1/16W	R1088		NRSA6AJ-473W	MG RESISTOR 47kΩ, 1/16W
R1023		NRSA6AJ-104W	MG RESISTOR 100kΩ, 1/16W	R1089		NRSA6AJ-473W	MG RESISTOR 47kΩ, 1/16W
R1024		NRSA6AJ-102W	MG RESISTOR 1kΩ, 1/16W	R1090		NRSA6AJ-473W	MG RESISTOR 47kΩ, 1/16W
R1025		NRSA6AJ-104W	MG RESISTOR 100kΩ, 1/16W	R1091		NRSA6AJ-102W	MG RESISTOR 1kΩ, 1/16W
R1026		NRSA6AJ-103W	MG RESISTOR 10kΩ, 1/16W	R1092		NRSA6AJ-222W	MG RESISTOR 2.2kΩ, 1/16W
R1027		NRSA6AJ-102W	MG RESISTOR 1kΩ, 1/16W	R1093		NRSA6AJ-0R0W	MG RESISTOR 0Ω, 1/16W
R1028		NRSA6AJ-102W	MG RESISTOR 1kΩ, 1/16W	R1094		NRSA6AJ-154W	MG RESISTOR 150kΩ, 1/16W
R1029		NRSA6AJ-473W	MG RESISTOR 47kΩ, 1/16W	R1095		NRSA6AJ-272W	MG RESISTOR 2.7kΩ, 1/16W
R1030		NRSA6AJ-472W	MG RESISTOR 4.7kΩ, 1/16W	R1096		NRSA6AJ-183W	MG RESISTOR 18kΩ, 1/16W
R1031		NRSA6AJ-0R0W	MG RESISTOR 0Ω, 1/16W	R1097		NRSA6AJ-473W	MG RESISTOR 47kΩ, 1/16W
R1032		NRSA6AJ-0R0W	MG RESISTOR 0Ω, 1/16W	R1098		NRSA6AJ-103W	MG RESISTOR 10kΩ, 1/16W
R1033		NRSA6AJ-103W	MG RESISTOR 10kΩ, 1/16W	R1099		NRSA6AJ-472W	MG RESISTOR 4.7kΩ, 1/16W
R1034		NRSA6AJ-153W	MG RESISTOR 15kΩ, 1/16W	R1100		NRSA6AJ-0R0W	MG RESISTOR 0Ω, 1/16W
R1035		NRSA6AJ-474W	MG RESISTOR 470kΩ, 1/16W	R1102		NRSA6AJ-0R0W	MG RESISTOR 0Ω, 1/16W
R1036		NRSA6AJ-474W	MG RESISTOR 470kΩ, 1/16W	R1103		NRSA6AJ-0R0W	MG RESISTOR 0Ω, 1/16W
R1037		NRSA6AJ-474W	MG RESISTOR 470kΩ, 1/16W	R1105		NRSA6AJ-103W	MG RESISTOR 10kΩ, 1/16W
R1038		NRSA6AJ-102W	MG RESISTOR 1kΩ, 1/16W	R1110		NRSA6AJ-473W	MG RESISTOR 47kΩ, 1/16W
R1040		NRSA6AJ-0R0W	MG RESISTOR 0Ω, 1/16W	R1111		NRSA6AJ-473W	MG RESISTOR 47kΩ, 1/16W
R1041		NRSA6AJ-103W	MG RESISTOR 10kΩ, 1/16W	R1112		NRSA6AJ-473W	MG RESISTOR 47kΩ, 1/16W
R1042		NRSA6AJ-102W	MG RESISTOR 1kΩ, 1/16W	R1113		NRSA6AJ-102W	MG RESISTOR 1kΩ, 1/16W
R1043		NRSA6AJ-103W	MG RESISTOR 10kΩ, 1/16W	R1114		NRSA6AJ-102W	MG RESISTOR 1kΩ, 1/16W
R1044		NRSA6AJ-103W	MG RESISTOR 10kΩ, 1/16W	R1115		NRSA6AJ-102W	MG RESISTOR 1kΩ, 1/16W
R1045		NRSA6AJ-0R0W	MG RESISTOR 0Ω, 1/16W	R1116		NRSA6AJ-103W	MG RESISTOR 10kΩ, 1/16W
R1046		NRSA6AJ-473W	MG RESISTOR 47kΩ, 1/16W	R1117		NRSA6AJ-0R0W	MG RESISTOR 0Ω, 1/16W
R1047		NRSA6AJ-473W	MG RESISTOR 47kΩ, 1/16W	R1201		NRSA6AJ-103W	MG RESISTOR 10kΩ, 1/16W
R1048		NRSA6AJ-103W	MG RESISTOR 10kΩ, 1/16W	R1202		NRSA6AJ-153W	MG RESISTOR 15kΩ, 1/16W
R1049		NRSA6AJ-0R0W	MG RESISTOR 0Ω, 1/16W	R1301		NRSA6AJ-103W	MG RESISTOR 10kΩ, 1/16W
R1050		NRSA6AJ-222W	MG RESISTOR 2.2kΩ, 1/16W	R1303		NRSA6AJ-472W	MG RESISTOR 4.7kΩ, 1/16W
R1051		NRSA6AJ-222W	MG RESISTOR 2.2kΩ, 1/16W	R1401		NRSA6AJ-102W	MG RESISTOR 1kΩ, 1/16W
R1052		NRSA6AJ-331W	MG RESISTOR 330Ω, 1/16W	R1402		NRSA6AJ-222W	MG RESISTOR 2.2kΩ, 1/16W
R1056		NRSA6AJ-331W	MG RESISTOR 330Ω, 1/16W	R1403		NRSA6AJ-222W	MG RESISTOR 2.2kΩ, 1/16W
R1057		NRSA6AJ-751W	MG RESISTOR, A,B 750Ω, 1/16W	R1404		NRSA6AJ-0R0W	MG RESISTOR 0Ω, 1/16W
R1058		NRSA6AJ-751W	MG RESISTOR, A,B 750Ω, 1/16W	R1408		NRSA6AJ-472W	MG RESISTOR 4.7kΩ, 1/16W
R1059		NRSA6AJ-751W	MG RESISTOR, A,B 750Ω, 1/16W	R1409		NRSA6AJ-331W	MG RESISTOR 330Ω, 1/16W
R1060		NRSA6AJ-102W	MG RESISTOR, A,B 1kΩ, 1/16W	R1413		NRSA6AJ-331W	MG RESISTOR 330Ω, 1/16W
R1061		NRSA6AJ-102W	MG RESISTOR, A,B 1kΩ, 1/16W	R1414		NRSA6AJ-102W	MG RESISTOR 1kΩ, 1/16W
R1062		NRSA6AJ-102W	MG RESISTOR, A,B 1kΩ, 1/16W	R1415		NRSA6AJ-102W	MG RESISTOR 1kΩ, 1/16W
R1063		NRSA6AJ-0R0W	MG RESISTOR, A,B 0Ω, 1/16W	R1416		NRSA6AJ-102W	MG RESISTOR 1kΩ, 1/16W
R1064		NRSA6AJ-0R0W	MG RESISTOR, A,B 0Ω, 1/16W	R1417		NRSA6AJ-102W	MG RESISTOR 1kΩ, 1/16W
R1065		NRSA6AJ-0R0W	MG RESISTOR, A,B 0Ω, 1/16W	R1418		NRSA6AJ-221W	MG RESISTOR 220Ω, 1/16W
R1066		NRSA6AJ-0R0W	MG RESISTOR, C,D 0Ω, 1/16W	R1419		NRSA6AJ-221W	MG RESISTOR 220Ω, 1/16W
R1067		NRSA6AJ-0R0W	MG RESISTOR, C,D 0Ω, 1/16W	R1420		NRSA6AJ-473W	MG RESISTOR 47kΩ, 1/16W
R1068		NRSA6AJ-0R0W	MG RESISTOR, C,D 0Ω, 1/16W	R1422		NRSA6AJ-332W	MG RESISTOR 3.3kΩ, 1/16W

#	△ REF No.	PART No.	PART NAME, DESCRIPTION	#	△ REF No.	PART No.	PART NAME, DESCRIPTION
R1423		NRSA6AJ-332W	MG RESISTOR 3.3kΩ,1/16W	R3059		NRSA6AJ-103W	MG RESISTOR 10kΩ,1/16W
R1424		NRSA6AJ-332W	MG RESISTOR 3.3kΩ,1/16W	R3060		NRSA6AJ-272W	MG RESISTOR 2.7kΩ,1/16W
R1425		NRVA6AD-753W	CMF RESISTOR 75kΩ,1/16W	R3061		NRSA6AJ-103W	MG RESISTOR 10kΩ,1/16W
R1426		NRSA6AJ-334W	MG RESISTOR 330kΩ,1/16W	R3062		NRSA6AJ-103W	MG RESISTOR 10kΩ,1/16W
R1429		NRSA6AJ-102W	MG RESISTOR 1kΩ,1/16W	R3063		NRSA6AJ-103W	MG RESISTOR 10kΩ,1/16W
R1430		NRSA6AJ-102W	MG RESISTOR 1kΩ,1/16W	R3064		NRSA6AJ-103W	MG RESISTOR 10kΩ,1/16W
R1437		NRSA6AJ-0R0W	MG RESISTOR 0Ω,1/16W	R3311		NRVA6AD-222W	CMF RESISTOR 2.2kΩ,1/16W
R1438		NRSA6AJ-0R0W	MG RESISTOR 0Ω,1/16W	R3313		NRSA6AJ-105W	MG RESISTOR 1MΩ,1/16W
R1439		NRSA6AJ-332W	MG RESISTOR 3.3kΩ,1/16W	R3314		NRSA6AJ-101W	MG RESISTOR 100Ω,1/16W
R1440		NRSA6AJ-332W	MG RESISTOR 3.3kΩ,1/16W	R3315		NRSA6AJ-0R0W	MG RESISTOR 0Ω,1/16W
R1441		NRSA6AJ-332W	MG RESISTOR 3.3kΩ,1/16W	R3318		NRSA6AJ-224W	MG RESISTOR 220kΩ,1/16W
R1442		NRSA6AJ-332W	MG RESISTOR 3.3kΩ,1/16W	R3319		NRSA6AJ-224W	MG RESISTOR 220kΩ,1/16W
R1443		NRSA6AJ-102W	MG RESISTOR 1kΩ,1/16W	R3331		NRSA6AJ-103W	MG RESISTOR 10kΩ,1/16W
R1444		NRSA6AJ-102W	MG RESISTOR 1kΩ,1/16W	R3332		NRSA6AJ-0R0W	MG RESISTOR 0Ω,1/16W
R1445		NRSA6AJ-101W	MG RESISTOR 100Ω,1/16W	R3333		NRSA6AJ-0R0W	MG RESISTOR 0Ω,1/16W
R2001		NRSA6AJ-104W	MG RESISTOR 100kΩ,1/16W	R3334		NRSA6AJ-0R0W	MG RESISTOR 0Ω,1/16W
R2002		NRSA6AJ-0R0W	MG RESISTOR 0Ω,1/16W	R3335		NRSA6AJ-0R0W	MG RESISTOR 0Ω,1/16W
R2003		NRSA6AJ-0R0W	MG RESISTOR 0Ω,1/16W	R3336		NRSA6AJ-0R0W	MG RESISTOR 0Ω,1/16W
R2005		NRSA6AJ-0R0W	MG RESISTOR 0Ω,1/16W	R3337		NRSA6AJ-0R0W	MG RESISTOR 0Ω,1/16W
R2007		NRSA6AJ-0R0W	MG RESISTOR 0Ω,1/16W	R3338		NRSA6AJ-220W	MG RESISTOR 22Ω,1/16W
R2008		NRSA6AJ-0R0W	MG RESISTOR 0Ω,1/16W	R3339		NRSA6AJ-0R0W	MG RESISTOR 0Ω,1/16W
R2009		NRSA6AJ-103W	MG RESISTOR 10kΩ,1/16W	R3340		NRSA6AJ-0R0W	MG RESISTOR 0Ω,1/16W
R2010		NRSA6AJ-103W	MG RESISTOR 10kΩ,1/16W	R3341		NRSA6AJ-221W	MG RESISTOR 220Ω,1/16W
R2011		NRSA6AJ-103W	MG RESISTOR 10kΩ,1/16W	R3701		NRSA6AJ-225W	MG RESISTOR 2.2MΩ,1/16W
R2012		NRSA6AJ-0R0W	MG RESISTOR 0Ω,1/16W	R3702		NRSA6AJ-103W	MG RESISTOR 10kΩ,1/16W
R2013		NRSA6AJ-103W	MG RESISTOR 10kΩ,1/16W	R3703		NRSA6AJ-203W	MG RESISTOR 20kΩ,1/16W
R2014		NRSA6AJ-102W	MG RESISTOR 1kΩ,1/16W	R3704		NRSA6AJ-103W	MG RESISTOR 10kΩ,1/16W
R2015		NRSA63J-0R0X	MG RESISTOR 0Ω,1/16W	R3706		NRSA6AJ-121W	MG RESISTOR 120Ω,1/16W
R2017		NRSA6AJ-103W	MG RESISTOR 10kΩ,1/16W	R3707		NRSA6AJ-121W	MG RESISTOR 120Ω,1/16W
R2018		NRSA6AJ-103W	MG RESISTOR 10kΩ,1/16W	R3708		NRSA6AJ-103W	MG RESISTOR 10kΩ,1/16W
R2019		NRSA6AJ-103W	MG RESISTOR 10kΩ,1/16W	R3709		NRSA6AJ-224W	MG RESISTOR 220kΩ,1/16W
R2020		NRSA6AJ-103W	MG RESISTOR 10kΩ,1/16W	R3710		NRSA6AJ-103W	MG RESISTOR 10kΩ,1/16W
R3001		NRSA6AJ-151W	MG RESISTOR 150Ω,1/16W	R3712		NRSA6AJ-680W	MG RESISTOR 68Ω,1/16W
R3002		NRSA6AJ-272W	MG RESISTOR 2.7kΩ,1/16W	R3713		NRSA6AJ-680W	MG RESISTOR 68Ω,1/16W
R3003		NRSA6AJ-151W	MG RESISTOR 150Ω,1/16W	R3714		NRSA6AJ-101W	MG RESISTOR 100Ω,1/16W
R3004		NRSA6AJ-562W	MG RESISTOR 5.6kΩ,1/16W	R3715		NRSA6AJ-472W	MG RESISTOR 4.7kΩ,1/16W
R3005		NRSA6AJ-222W	MG RESISTOR 2.2kΩ,1/16W	R3716		NRSA6AJ-472W	MG RESISTOR 4.7kΩ,1/16W
R3006		NRSA6AJ-222W	MG RESISTOR 2.2kΩ,1/16W	R3901		NRVA6AD-821W	CMF RESISTOR,C,D 820Ω,1/16W
R3007		NRSA6AJ-224W	MG RESISTOR 220kΩ,1/16W	R3902		NRVA6AD-273W	CMF RESISTOR,C,D 27kΩ,1/16W
R3008		NRSA6AJ-103W	MG RESISTOR 10kΩ,1/16W	R3903		NRVA6AD-153W	CMF RESISTOR,C,D 15kΩ,1/16W
R3009		NRSA6AJ-103W	MG RESISTOR 10kΩ,1/16W	R3904		NRVA6AD-821W	CMF RESISTOR,C,D 820Ω,1/16W
R3015		NRSA6AJ-242W	MG RESISTOR 2.4kΩ,1/16W	R3951		NRVA6AD-561W	CMF RESISTOR,C,D 560Ω,1/16W
R3016		NRSA6AJ-392W	MG RESISTOR 3.9kΩ,1/16W	R3953		NRVA6AD-152W	CMF RESISTOR,C,D 1.5kΩ,1/16W
R3017		NRSA6AJ-392W	MG RESISTOR 3.9kΩ,1/16W	R3954		NRSA6AJ-222W	MG RESISTOR,C,D 2.2kΩ,1/16W
R3018		NRVA6AD-560W	CMF RESISTOR 56Ω,1/16W	R3955		NRSA6AJ-102W	MG RESISTOR,C,D 1kΩ,1/16W
R3019		NRVA6AD-560W	CMF RESISTOR 56Ω,1/16W	R3956		NRSA6AJ-474W	MG RESISTOR,C,D 470kΩ,1/16W
R3020		NRVA6AD-560W	CMF RESISTOR 56Ω,1/16W	R3961		NRVA6AD-561W	CMF RESISTOR,C,D 560Ω,1/16W
R3021		NRVA6AD-560W	CMF RESISTOR 56Ω,1/16W	R3962		NRSA6AJ-822W	MG RESISTOR,C,D 8.2kΩ,1/16W
R3022		NRVA6AD-512W	CMF RESISTOR 5.1kΩ,1/16W	R3963		NRVA6AD-182W	CMF RESISTOR,C,D 1.8kΩ,1/16W
R3023		NRSA6AJ-103W	MG RESISTOR 10kΩ,1/16W	R3964		NRSA6AJ-183W	MG RESISTOR,C,D 18kΩ,1/16W
R3024		NRSA6AJ-105W	MG RESISTOR 1MΩ,1/16W	R3965		NRSA6AJ-183W	MG RESISTOR,C,D 18kΩ,1/16W
R3025		NRSA6AJ-222W	MG RESISTOR 2.2kΩ,1/16W	R3966		NRSA6AJ-681W	MG RESISTOR,C,D 680Ω,1/16W
R3026		NRSA6AJ-102W	MG RESISTOR 1kΩ,1/16W	R3967		NRSA6AJ-821W	MG RESISTOR,C,D 820Ω,1/16W
R3027		NRSA6AJ-102W	MG RESISTOR 1kΩ,1/16W	R3968		NRSA6AJ-821W	MG RESISTOR,C,D 820Ω,1/16W
R3029		NRSA6AJ-561W	MG RESISTOR 560Ω,1/16W	R3969		NRSA6AJ-102W	MG RESISTOR,C,D 1kΩ,1/16W
R3030		NRSA6AJ-392W	MG RESISTOR 3.9kΩ,1/16W	R4101		NRSA6AJ-104W	MG RESISTOR 100kΩ,1/16W
R3034		NRSA6AJ-0R0W	MG RESISTOR 0Ω,1/16W	R4203		NRSA6AJ-220W	MG RESISTOR 22Ω,1/16W
R3044		NRSA6AJ-0R0W	MG RESISTOR 0Ω,1/16W	R4204		NRSA6AJ-223W	MG RESISTOR 22kΩ,1/16W
R3051		NRSA6AJ-0R0W	MG RESISTOR 0Ω,1/16W	R4211		NRSA6AJ-221W	MG RESISTOR 220Ω,1/16W
R3052		NRSA6AJ-0R0W	MG RESISTOR 0Ω,1/16W	R4212		NRSA6AJ-221W	MG RESISTOR 220Ω,1/16W
R3053		NRSA6AJ-0R0W	MG RESISTOR 0Ω,1/16W	R4213		NRSA6AJ-221W	MG RESISTOR 220Ω,1/16W
R3054		NRSA6AJ-0R0W	MG RESISTOR 0Ω,1/16W	R4214		NRSA6AJ-221W	MG RESISTOR 220Ω,1/16W
R3055		NRSA6AJ-0R0W	MG RESISTOR 0Ω,1/16W	R4215		NRSA6AJ-221W	MG RESISTOR 220Ω,1/16W

#	△ REF No.	PART No.	PART NAME, DESCRIPTION	#	△ REF No.	PART No.	PART NAME, DESCRIPTION	
R4216		NRSA6AJ-221W	MG RESISTOR	220Ω,1/16W	R4373	NRSA6AJ-222W	MG RESISTOR	2.2kΩ,1/16W
R4217		NRSA6AJ-221W	MG RESISTOR	220Ω,1/16W	R4374	NRVA6AD-101W	CMF RESISTOR,A,B	100Ω,1/16W
R4218		NRSA6AJ-221W	MG RESISTOR	220Ω,1/16W		NRVA6AD-201W	CMF RESISTOR,C,D	200Ω,1/16W
R4219		NRSA6AJ-221W	MG RESISTOR	220Ω,1/16W	R4375	NRVA6AD-271W	CMF RESISTOR	270Ω,1/16W
R4220		NRSA6AJ-221W	MG RESISTOR	220Ω,1/16W	R4376	NRSA6AJ-222W	MG RESISTOR	2.2kΩ,1/16W
R4302		NRSA6AJ-330W	MG RESISTOR	33Ω,1/16W	R4377	NRVA6AD-270W	CMF RESISTOR,A,B	27Ω,1/16W
R4303		NRSA6AJ-101W	MG RESISTOR	100Ω,1/16W	R4378	NRSA6AJ-222W	MG RESISTOR	2.2kΩ,1/16W
R4304		NRSA6AJ-101W	MG RESISTOR	100Ω,1/16W	R4379	NRVA6AD-333W	CMF RESISTOR	33kΩ,1/16W
R4305		NRSA6AJ-101W	MG RESISTOR	100Ω,1/16W	R4383	NRVA6AD-271W	CMF RESISTOR,C,D	270Ω,1/16W
R4306		NRSA6AJ-101W	MG RESISTOR	100Ω,1/16W	R4384	NRSA6AJ-0R0W	MG RESISTOR,A,B	0Ω,1/16W
R4307		NRSA6AJ-220W	MG RESISTOR	22Ω,1/16W	R4385	NRSA6AJ-0R0W	MG RESISTOR,A,B	0Ω,1/16W
R4308		NRSA6AJ-220W	MG RESISTOR	22Ω,1/16W	R4386	NRSA6AJ-0R0W	MG RESISTOR	0Ω,1/16W
R4310		NRSA6AJ-0R0W	MG RESISTOR	0Ω,1/16W	R4387	NRSA6AJ-0R0W	MG RESISTOR	0Ω,1/16W
R4313		NRSA6AJ-0R0W	MG RESISTOR	0Ω,1/16W	R4388	NRSA6AJ-0R0W	MG RESISTOR	0Ω,1/16W
R4314		NRSA6AJ-0R0W	MG RESISTOR	0Ω,1/16W	R4389	NRSA6AJ-0R0W	MG RESISTOR	0Ω,1/16W
R4315		NRSA6AJ-0R0W	MG RESISTOR	0Ω,1/16W	R4390	NRSA6AJ-103W	MG RESISTOR	10kΩ,1/16W
R4316		NRSA6AJ-0R0W	MG RESISTOR	0Ω,1/16W	R4805	NRSA6AJ-103W	MG RESISTOR	10kΩ,1/16W
R4317		NRSA6AJ-0R0W	MG RESISTOR	0Ω,1/16W	R4806	NRSA6AJ-823W	MG RESISTOR	82kΩ,1/16W
R4318		NRSA6AJ-101W	MG RESISTOR	100Ω,1/16W	R4807	NRSA6AJ-683W	MG RESISTOR	68kΩ,1/16W
R4320		NRSA6AJ-220W	MG RESISTOR	22Ω,1/16W	R4808	NRSA6AJ-243W	MG RESISTOR	24kΩ,1/16W
R4321		NRSA6AJ-220W	MG RESISTOR	22Ω,1/16W	R4809	NRSA6AJ-561W	MG RESISTOR	560Ω,1/16W
R4322		NRSA6AJ-333W	MG RESISTOR	33kΩ,1/16W	R4810	NRSA6AJ-103W	MG RESISTOR	10kΩ,1/16W
R4323		NRSA6AJ-333W	MG RESISTOR	33kΩ,1/16W	R4811	NRSA6AJ-684W	MG RESISTOR	680kΩ,1/16W
R4328		NRSA6AJ-220W	MG RESISTOR	22Ω,1/16W	R4812	NRSA6AJ-153W	MG RESISTOR	15kΩ,1/16W
R4329		NRSA6AJ-220W	MG RESISTOR	22Ω,1/16W	R4814	NRSA6AJ-105W	MG RESISTOR	1MΩ,1/16W
R4330		NRSA6AJ-470W	MG RESISTOR	47Ω,1/16W	R4815	NRSA6AJ-472W	MG RESISTOR	4.7kΩ,1/16W
R4331		NRSA6AJ-220W	MG RESISTOR	22Ω,1/16W	R4816	NRSA6AJ-185W	MG RESISTOR	1.8MΩ,1/16W
R4332		NRSA6AJ-220W	MG RESISTOR	22Ω,1/16W	R4819	NRSA6AJ-103W	MG RESISTOR	10kΩ,1/16W
R4333		NRSA6AJ-220W	MG RESISTOR	22Ω,1/16W	R4820	NRSA6AJ-104W	MG RESISTOR	100kΩ,1/16W
R4334		NRSA6AJ-220W	MG RESISTOR	22Ω,1/16W	R4821	NRSA6AJ-104W	MG RESISTOR	100kΩ,1/16W
R4335		NRSA6AJ-220W	MG RESISTOR	22Ω,1/16W	R4822	NRSA6AJ-333W	MG RESISTOR	33kΩ,1/16W
R4337		NRSA6AJ-152W	MG RESISTOR	1.5kΩ,1/16W	R4823	NRSA6AJ-102W	MG RESISTOR	1kΩ,1/16W
R4342		NRSA6AJ-220W	MG RESISTOR	22Ω,1/16W	R4824	NRSA6AJ-472W	MG RESISTOR	4.7kΩ,1/16W
R4343		NRSA6AJ-220W	MG RESISTOR	22Ω,1/16W	R4825	NRSA6AJ-183W	MG RESISTOR	18kΩ,1/16W
R4344		NRSA6AJ-220W	MG RESISTOR	22Ω,1/16W	R4826	NRSA6AJ-333W	MG RESISTOR	33kΩ,1/16W
R4345		NRSA6AJ-220W	MG RESISTOR	22Ω,1/16W	R4828	NRSA6AJ-122W	MG RESISTOR	1.2kΩ,1/16W
R4346		NRSA6AJ-220W	MG RESISTOR	22Ω,1/16W	R4829	NRSA6AJ-0R0W	MG RESISTOR	0Ω,1/16W
R4347		NRSA6AJ-220W	MG RESISTOR	22Ω,1/16W	R4831	NRSA6AJ-472W	MG RESISTOR	4.7kΩ,1/16W
R4348		NRSA6AJ-220W	MG RESISTOR	22Ω,1/16W	R4832	NRSA6AJ-103W	MG RESISTOR	10kΩ,1/16W
R4349		NRSA6AJ-220W	MG RESISTOR	22Ω,1/16W	R4833	NRSA6AJ-104W	MG RESISTOR	100kΩ,1/16W
R4351		NRSA6AJ-0R0W	MG RESISTOR,A,B	0Ω,1/16W	R4834	NRSA6AJ-103W	MG RESISTOR	10kΩ,1/16W
R4352		NRSA6AJ-0R0W	MG RESISTOR,A,B	0Ω,1/16W	R4835	NRSA6AJ-103W	MG RESISTOR	10kΩ,1/16W
R4353		NRSA6AJ-0R0W	MG RESISTOR,A,B	0Ω,1/16W	R4836	NRSA6AJ-151W	MG RESISTOR	150Ω,1/16W
R4354		NRSA6AJ-0R0W	MG RESISTOR,A,B	0Ω,1/16W	R4837	NRSA6AJ-102W	MG RESISTOR	1kΩ,1/16W
R4355		NRVA6AD-473W	CMF RESISTOR,A,B	47kΩ,1/16W	R4838	NRSA6AJ-470W	MG RESISTOR	47Ω,1/16W
R4356		NRVA6AD-272W	CMF RESISTOR,C,D	2.7kΩ,1/16W	R4839	NRSA6AJ-0R0W	MG RESISTOR	0Ω,1/16W
		NRVA6AD-333W	CMF RESISTOR,A,B	33kΩ,1/16W	R4840	NRSA6AJ-0R0W	MG RESISTOR	0Ω,1/16W
R4358		NRVA6AD-622W	CMF RESISTOR,A,B	6.2kΩ,1/16W	R4841	NRSA6AJ-564W	MG RESISTOR	560kΩ,1/16W
		NRVA6AD-272W	CMF RESISTOR,C,D	2.7kΩ,1/16W	R4844	NRSA6AJ-0R0W	MG RESISTOR	0Ω,1/16W
R4360		NRVA6AD-163W	CMF RESISTOR,A,B	16kΩ,1/16W	R4846	NRSA6AJ-0R0W	MG RESISTOR	0Ω,1/16W
		NRVA6AD-272W	CMF RESISTOR,C,D	2.7kΩ,1/16W	R4854	NRSA6AJ-0R0W	MG RESISTOR	0Ω,1/16W
R4362		NRVA6AD-163W	CMF RESISTOR,A,B	16kΩ,1/16W	R4856	NRSA6AJ-6R8W	MG RESISTOR	6.8Ω,1/16W
		NRVA6AD-272W	CMF RESISTOR,C,D	2.7kΩ,1/16W	R4857	NRSA6AJ-6R8W	MG RESISTOR	6.8Ω,1/16W
R4363		NRSA6AJ-153W	MG RESISTOR	15kΩ,1/16W	R4858	NRSA6AJ-333W	MG RESISTOR	33kΩ,1/16W
R4364		NRSA6AJ-103W	MG RESISTOR	10kΩ,1/16W	R4859	NRSA6AJ-0R0W	MG RESISTOR	0Ω,1/16W
R4365		NRSA6AJ-0R0W	MG RESISTOR	0Ω,1/16W	R4860	NRSA6AJ-0R0W	MG RESISTOR	0Ω,1/16W
R4367		NRSA6AJ-102W	MG RESISTOR	1kΩ,1/16W	R4862	NRSA6AJ-6R8W	MG RESISTOR	6.8Ω,1/16W
R4369		NRVA6AD-750W	CMF RESISTOR,A,B	75Ω,1/16W	R4863	NRSA6AJ-6R8W	MG RESISTOR	6.8Ω,1/16W
		NRVA6AD-201W	CMF RESISTOR,C,D	200Ω,1/16W	R4864	NRSA6AJ-102W	MG RESISTOR	1kΩ,1/16W
R4370		NRSA6AJ-102W	MG RESISTOR	1kΩ,1/16W	R4865	NRSA6AJ-102W	MG RESISTOR	1kΩ,1/16W
R4371		NRVA6AD-131W	CMF RESISTOR,A,B	130Ω,1/16W	R4866	NRSA6AJ-102W	MG RESISTOR	1kΩ,1/16W
		NRVA6AD-201W	CMF RESISTOR,C,D	200Ω,1/16W	R4867	NRSA6AJ-102W	MG RESISTOR	1kΩ,1/16W
R4372		NRSA6AJ-222W	MG RESISTOR	2.2kΩ,1/16W	R4868	NRSA6AJ-0R0W	MG RESISTOR	0Ω,1/16W

#	△ REF No.	PART No.	PART NAME, DESCRIPTION	#	△ REF No.	PART No.	PART NAME, DESCRIPTION	
R4870		NRSA6AJ-271W	MG RESISTOR	270Ω,1/16W	RA1001	NRZ0034-102W	NETWORK RESISTOR	1kΩ
R4871		NRSA6AJ-0R0W	MG RESISTOR	0Ω,1/16W	RA1002	NRZ0034-102W	NETWORK RESISTOR	1kΩ
R4874		NRSA6AJ-0R0W	MG RESISTOR	0Ω,1/16W	RA1003	NRZ0034-102W	NETWORK RESISTOR	1kΩ
R4901		NRSA6AJ-103W	MG RESISTOR	10kΩ,1/16W	RA1004	NRZ0034-102W	NETWORK RESISTOR	1kΩ
R4902		NRSA6AJ-683W	MG RESISTOR	68kΩ,1/16W	RA1005	NRZ0034-102W	NETWORK RESISTOR	1kΩ
R4903		NRSA6AJ-823W	MG RESISTOR	82kΩ,1/16W	RA1006	NRZ0034-104W	NETWORK RESISTOR	100kΩ
R4904		NRSA6AJ-243W	MG RESISTOR	24kΩ,1/16W	RA1007	NRZ0034-104W	NETWORK RESISTOR	100kΩ
R4905		NRSA6AJ-103W	MG RESISTOR	10kΩ,1/16W	RA1401	NRZ0034-473W	NETWORK RESISTOR	47kΩ
R4906		NRSA6AJ-561W	MG RESISTOR	560Ω,1/16W	RA1402	NRZ0034-102W	NETWORK RESISTOR	1kΩ
R4907		NRSA6AJ-684W	MG RESISTOR	680kΩ,1/16W	RA1403	NRZ0034-102W	NETWORK RESISTOR	1kΩ
R4908		NRSA6AJ-153W	MG RESISTOR	15kΩ,1/16W	RA4301	NRZ0034-221W	NETWORK RESISTOR	220Ω
R4909		NRSA6AJ-185W	MG RESISTOR	1.8MΩ,1/16W	RA4302	NRZ0034-221W	NETWORK RESISTOR	220Ω
R4910		NRSA6AJ-105W	MG RESISTOR	1MΩ,1/16W	RA4303	NRZ0034-221W	NETWORK RESISTOR	220Ω
R4911		NRSA6AJ-472W	MG RESISTOR	4.7kΩ,1/16W	RA4304	NRZ0034-221W	NETWORK RESISTOR	220Ω
R4912		NRSA6AJ-103W	MG RESISTOR	10kΩ,1/16W	RA4305	NRZ0034-221W	NETWORK RESISTOR	220Ω
R4913		NRSA6AJ-104W	MG RESISTOR	100kΩ,1/16W	RA4306	NRZ0034-221W	NETWORK RESISTOR	220Ω
R4914		NRSA6AJ-104W	MG RESISTOR	100kΩ,1/16W	RA4307	NRZ0034-221W	NETWORK RESISTOR	220Ω
R4915		NRSA6AJ-472W	MG RESISTOR	4.7kΩ,1/16W	RA4308	NRZ0034-221W	NETWORK RESISTOR	220Ω
R4916		NRSA6AJ-333W	MG RESISTOR	33kΩ,1/16W	C1001	NBE90JM-106X	T CAPACITOR	10μF,6.3V
R4917		NRSA6AJ-102W	MG RESISTOR	1kΩ,1/16W	C1002	NCBA1AK-104W	CAPACITOR	0.1μF,10V
R4918		NRSA6AJ-183W	MG RESISTOR	18kΩ,1/16W	C1003	NBE90JM-106X	T CAPACITOR	10μF,6.3V
R4919		NRSA6AJ-122W	MG RESISTOR	1.2kΩ,1/16W	C1004	NCBA1AK-104W	CAPACITOR	0.1μF,10V
R4920		NRSA6AJ-104W	MG RESISTOR	100kΩ,1/16W	C1005	NBE90JM-106X	T CAPACITOR	10μF,6.3V
R4921		NRSA6AJ-151W	MG RESISTOR	150Ω,1/16W	C1006	NCBA1AK-104W	CAPACITOR	0.1μF,10V
R4922		NRSA6AJ-103W	MG RESISTOR	10kΩ,1/16W	C1007	NCBA1CK-103W	CAPACITOR	0.01μF,16V
R4923		NRSA6AJ-103W	MG RESISTOR	10kΩ,1/16W	C1008	NCBA1CK-103W	CAPACITOR	0.01μF,16V
R4924		NRSA6AJ-564W	MG RESISTOR	560kΩ,1/16W	C1009	NDCA1HJ-130W	CAPACITOR	13pF,50V
R4926		NRSA6AJ-333W	MG RESISTOR	33kΩ,1/16W	C1010	NCBA1CK-103W	CAPACITOR	0.01μF,16V
R5001		NRSA6AJ-0R0W	MG RESISTOR	0Ω,1/16W	C1011	NCBA1AK-104W	CAPACITOR	0.1μF,10V
R5002		NRVA6AD-100W	CMF RESISTOR	10Ω,1/16W	C1012	NCBA1CK-103W	CAPACITOR	0.01μF,16V
R5003		NRVA6AD-100W	CMF RESISTOR	10Ω,1/16W	C1013	NCBA1CK-103W	CAPACITOR	0.01μF,16V
R5004		NRVA6AD-100W	CMF RESISTOR	10Ω,1/16W	C1014	NCBA1CK-103W	CAPACITOR	0.01μF,16V
R5005		NRVA6AD-100W	CMF RESISTOR	10Ω,1/16W	C1015	NCBA1CK-103W	CAPACITOR	0.01μF,16V
R5006		NRVA6AD-100W	CMF RESISTOR	10Ω,1/16W	C1016	NCBA1CK-103W	CAPACITOR	0.01μF,16V
R5007		NRVA6AD-100W	CMF RESISTOR	10Ω,1/16W	C1017	NCBA1CK-103W	CAPACITOR	0.01μF,16V
R5011		NRSA6AJ-330W	MG RESISTOR	33Ω,1/16W	C1018	NCBA1CK-103W	CAPACITOR	0.01μF,16V
R5013		NRSA6AJ-0R0W	MG RESISTOR	0Ω,1/16W	C1019	NCBA1CK-103W	CAPACITOR	0.01μF,16V
R5016		NRSA6AJ-220W	MG RESISTOR	22Ω,1/16W	C1020	NCBA1CK-103W	CAPACITOR	0.01μF,16V
R5017		NRSA6AJ-220W	MG RESISTOR	22Ω,1/16W	C1021	NCBA1AK-104W	CAPACITOR	0.1μF,10V
R5018		NRSA6AJ-0R0W	MG RESISTOR	0Ω,1/16W	C1023	NDCA1HJ-120W	CAPACITOR,A,B	12pF,50V
R5021		NRVA6AD-101W	CMF RESISTOR	100Ω,1/16W	C1024	NDCA1HJ-330W	CAPACITOR,A,B	33pF,50V
R5022		NRSA6AJ-0R0W	MG RESISTOR	0Ω,1/16W	C1025	NCBA1AK-104W	CAPACITOR	0.1μF,10V
R5023		NRSA6AJ-220W	MG RESISTOR	22Ω,1/16W	C1026	NCBA1CK-103W	CAPACITOR	0.01μF,16V
R5024		NRSA6AJ-220W	MG RESISTOR	22Ω,1/16W	C1027	NCBA1CK-103W	CAPACITOR	0.01μF,16V
R5025		NRSA6AJ-330W	MG RESISTOR	33Ω,1/16W	C1028	NCBA1CK-103W	CAPACITOR	0.01μF,16V
R5026		NRSA6AJ-330W	MG RESISTOR	33Ω,1/16W	C1029	NCBA1CK-103W	CAPACITOR	0.01μF,16V
R5027		NRSA6AJ-330W	MG RESISTOR	33Ω,1/16W	C1030	NCBA1AK-104W	CAPACITOR	0.1μF,10V
R5028		NRSA6AJ-330W	MG RESISTOR	33Ω,1/16W	C1031	NCBA1CK-103W	CAPACITOR	0.01μF,16V
R5029		NRSA6AJ-220W	MG RESISTOR	22Ω,1/16W	C1032	NCB30JK-105X	CAPACITOR	1μF,6.3V
R6001		NRSA6AJ-104W	MG RESISTOR	100kΩ,1/16W	C1201	NCBA1AK-104W	CAPACITOR	0.1μF,10V
R6002		NRVA6AD-183W	CMF RESISTOR	18kΩ,1/16W	C1202	NCBA1AK-104W	CAPACITOR	0.1μF,10V
R6003		NRSA6AJ-104W	MG RESISTOR	100kΩ,1/16W	C1204	NCB21AK-105X	CAPACITOR	1μF,10V
R6004		NRSA6AJ-102W	MG RESISTOR	1kΩ,1/16W	C1301	NCBA1CK-103W	CAPACITOR	0.01μF,16V
R6005		NRSA6AJ-224W	MG RESISTOR	220kΩ,1/16W	C1302	NCBA1CK-103W	CAPACITOR	0.01μF,16V
R6006		NRSA6AJ-104W	MG RESISTOR	100kΩ,1/16W	C1401	NBE90JM-106X	T CAPACITOR	10μF,6.3V
R6007		NRSA6AJ-104W	MG RESISTOR	100kΩ,1/16W	C1402	NBE90JM-106X	T CAPACITOR	10μF,6.3V
R6009		NRSA6AJ-222W	MG RESISTOR	2.2kΩ,1/16W	C1405	NCFA1AZ-104W	CAPACITOR	0.1μF,10V
R6010		NRSA6AJ-104W	MG RESISTOR	100kΩ,1/16W	C1406	NCFA1AZ-104W	CAPACITOR	0.1μF,10V
R6011		NRSA6AJ-104W	MG RESISTOR	100kΩ,1/16W	C1408	NCFA1AZ-104W	CAPACITOR	0.1μF,10V
R6012		NRVA6AD-823W	CMF RESISTOR	82kΩ,1/16W	C1409	NCFA1AZ-104W	CAPACITOR	0.1μF,10V
R6013		NRVA6AD-473W	CMF RESISTOR	47kΩ,1/16W	C1410	NCFA1AZ-104W	CAPACITOR	0.1μF,10V
△ R6017		NRSA63J-102X	MG RESISTOR	1kΩ,1/16W	C1411	NCFA1AZ-104W	CAPACITOR	0.1μF,10V
R6018		NRSA63J-471X	MG RESISTOR	470Ω,1/16W	C1412	NCFA1AZ-104W	CAPACITOR	0.1μF,10V

#	△ REF No.	PART No.	PART NAME, DESCRIPTION	#	△ REF No.	PART No.	PART NAME, DESCRIPTION
C1413		NCFA1AZ-104W	CAPACITOR 0.1μF,10V	C3022		NCBA1AK-104W	CAPACITOR 0.1μF,10V
C1414		NCBA1CK-103W	CAPACITOR 0.01μF,16V	C3023		NCBA1AK-104W	CAPACITOR 0.1μF,10V
C1415		NCBA1CK-103W	CAPACITOR 0.01μF,16V	C3024		NDCA1HJ-100W	CAPACITOR 10pF,50V
C1416		NCBA1CK-103W	CAPACITOR 0.01μF,16V	C3025		NDCA1HJ-100W	CAPACITOR 10pF,50V
C1417		NCBA1CK-223W	CAPACITOR 0.022μF,16V	C3026		NCBA1AK-104W	CAPACITOR 0.1μF,10V
C1418		NCBA1CK-223W	CAPACITOR 0.022μF,16V	C3027		NCBA1AK-104W	CAPACITOR 0.1μF,10V
C1419		NCBA1CK-223W	CAPACITOR 0.022μF,16V	C3028		NCBA1AK-104W	CAPACITOR 0.1μF,10V
C1420		NCBA1CK-223W	CAPACITOR 0.022μF,16V	C3029		NCBA1AK-104W	CAPACITOR 0.1μF,10V
C2003		NCBA1CK-103W	CAPACITOR 0.01μF,16V	C3030		NCBA1AK-104W	CAPACITOR 0.1μF,10V
C2004		NCBA1CK-103W	CAPACITOR 0.01μF,16V	C3031		NCBA1AK-104W	CAPACITOR 0.1μF,10V
C2005		NCBA1HK-102W	CAPACITOR 0.001μF,50V	C3032		NDCA1HJ-151W	CAPACITOR 150pF,50V
C2006		NCBA1CK-103W	CAPACITOR 0.01μF,16V	C3034		NCBA1AK-473W	CAPACITOR 0.047μF,10V
C2007		NCBA1CK-103W	CAPACITOR 0.01μF,16V	C3035		NCBA1AK-104W	CAPACITOR 0.1μF,10V
C2008		NCBA1CK-103W	CAPACITOR 0.01μF,16V	C3037		NCB30JK-105X	CAPACITOR 1μF,6.3V
C2009		NCBA1CK-103W	CAPACITOR 0.01μF,16V	C3038		NCBA1AK-104W	CAPACITOR 0.1μF,10V
C2010		NCBA1CK-103W	CAPACITOR 0.01μF,16V	C3039		NBE20JM-106X	T CAPACITOR 10μF,6.3V
C2011		NCBA1CK-103W	CAPACITOR 0.01μF,16V	C3040		NBE20JM-106X	T CAPACITOR 10μF,6.3V
C2012		NCBA1HK-102W	CAPACITOR 0.001μF,50V	C3041		NCBA1AK-104W	CAPACITOR 0.1μF,10V
C2013		NCBA1HK-102W	CAPACITOR 0.001μF,50V	C3042		NCB30JK-105X	CAPACITOR 1μF,6.3V
C2014		NCBA1HK-102W	CAPACITOR 0.001μF,50V	C3044		NBE20JM-106X	T CAPACITOR 10μF,6.3V
C2015		NCBA1HK-102W	CAPACITOR 0.001μF,50V	C3045		NCBA1AK-104W	CAPACITOR 0.1μF,10V
C2016		NCBA1HK-102W	CAPACITOR 0.001μF,50V	C3046		NCB30JK-105X	CAPACITOR 1μF,6.3V
C2017		NCBA1CK-103W	CAPACITOR 0.01μF,16V	C3048		NCBA1AK-104W	CAPACITOR 0.1μF,10V
C2018		NCBA1CK-103W	CAPACITOR 0.01μF,16V	C3052		NCBA1AK-104W	CAPACITOR 0.1μF,10V
C2019		NCBA1CK-103W	CAPACITOR 0.01μF,16V	C3053		NCBA1AK-104W	CAPACITOR 0.1μF,10V
C2020		NCBA1CK-103W	CAPACITOR 0.01μF,16V	C3318		NCBA1CK-103W	CAPACITOR 0.01μF,16V
C2021		NCBA1CK-103W	CAPACITOR 0.01μF,16V	C3319		NCBA1CK-103W	CAPACITOR 0.01μF,16V
C2022		NCBA1CK-103W	CAPACITOR 0.01μF,16V	C3320		NCB21AK-105X	CAPACITOR 1μF,10V
C2023		NCBA1CK-103W	CAPACITOR 0.01μF,16V	C3325		NDCA1HJ-9R0W	CAPACITOR 9pF,50V
C2024		NCBA1CK-103W	CAPACITOR 0.01μF,16V	C3326		NDCA1HJ-9R0W	CAPACITOR 9pF,50V
C2025		NCBA1CK-103W	CAPACITOR 0.01μF,16V	C3328		NDCA1HJ-470W	CAPACITOR 47pF,50V
C2026		NCBA1CK-103W	CAPACITOR 0.01μF,16V	C3329		NCBA1HK-102W	CAPACITOR 0.001μF,50V
C2027		NCBA1CK-103W	CAPACITOR 0.01μF,16V	C3330		NCBA1AK-104W	CAPACITOR 0.1μF,10V
C2028		NCBA1CK-103W	CAPACITOR 0.01μF,16V	C3331		NCBA1HK-102W	CAPACITOR 0.001μF,50V
C2029		NCBA1CK-103W	CAPACITOR 0.01μF,16V	C3332		NDCA1HJ-390W	CAPACITOR 39pF,50V
C2030		NCBA1CK-103W	CAPACITOR 0.01μF,16V	C3701		NCBA1AK-104W	CAPACITOR 0.1μF,10V
C2031		NCBA1CK-103W	CAPACITOR 0.01μF,16V	C3702		NCBA1CK-103W	CAPACITOR 0.01μF,16V
C2032		NCBA1CK-103W	CAPACITOR 0.01μF,16V	C3703		NCBA1CK-103W	CAPACITOR 0.01μF,16V
C2033		NCBA1CK-103W	CAPACITOR 0.01μF,16V	C3704		NBE20JM-106X	T CAPACITOR 10μF,6.3V
C2034		NCBA1CK-103W	CAPACITOR 0.01μF,16V	C3707		NBE20GM-226X	T CAPACITOR 22μF,4.0V
C2035		NCB11CK-105X	CAPACITOR 1μF,16V	C3708		NBE40GM-107X	T CAPACITOR 100μF,4.0V
C2036		NCBA1CK-103W	CAPACITOR 0.01μF,16V	C3709		NCBA1CK-103W	CAPACITOR 0.01μF,16V
C2037		NCBA1CK-103W	CAPACITOR 0.01μF,16V	C3710		NCFA1AZ-104W	CAPACITOR 0.1μF,10V
C2038		NCBA1CK-103W	CAPACITOR 0.01μF,16V	C3711		NCFA1AZ-104W	CAPACITOR 0.1μF,10V
C2039		NCBA1CK-103W	CAPACITOR 0.01μF,16V	C3712		NCBA1CK-103W	CAPACITOR 0.01μF,16V
C2040		NCBA1CK-103W	CAPACITOR 0.01μF,16V	C3713		NCBA1CK-103W	CAPACITOR 0.01μF,16V
C2041		NCBA1CK-103W	CAPACITOR 0.01μF,16V	C3714		NBE20JM-106X	T CAPACITOR 10μF,6.3V
C2042		NCBA1CK-103W	CAPACITOR 0.01μF,16V	C3715		NCBA1CK-103W	CAPACITOR 0.01μF,16V
C2043		NCBA1CK-103W	CAPACITOR 0.01μF,16V	C3716		NCB30JK-105X	CAPACITOR 1μF,6.3V
C3002		NCBA1AK-104W	CAPACITOR 0.1μF,10V	C3721		NBE20JM-226X	T CAPACITOR 22μF,6.3V
C3005		NCBA1AK-104W	CAPACITOR 0.1μF,10V	C3722		NCF31AZ-105X	CAPACITOR 1μF,10V
C3006		NCBA1AK-104W	CAPACITOR 0.1μF,10V	C3723		NBE20JM-106X	T CAPACITOR 10μF,6.3V
C3008		NCBA1AK-104W	CAPACITOR 0.1μF,10V	C3724		NCBA1CK-103W	CAPACITOR 0.01μF,16V
C3009		NCBA1AK-104W	CAPACITOR 0.1μF,10V	C3901		NCBA1AK-104W	CAPACITOR,C,D 0.1μF,10V
C3010		NCBA1AK-104W	CAPACITOR 0.1μF,10V	C3902		NCBA1AK-104W	CAPACITOR,C,D 0.1μF,10V
C3012		NCBA1AK-104W	CAPACITOR 0.1μF,10V	C3903		NCBA1AK-104W	CAPACITOR,C,D 0.1μF,10V
C3014		NDCA1HJ-330W	CAPACITOR 33pF,50V	C3904		NCBA1AK-104W	CAPACITOR,C,D 0.1μF,10V
C3015		NCBA1HK-102W	CAPACITOR 0.001μF,50V	C3905		NCBA1AK-104W	CAPACITOR,C,D 0.1μF,10V
C3016		NCBA1AK-104W	CAPACITOR 0.1μF,10V	C3906		NCBA1AK-104W	CAPACITOR,C,D 0.1μF,10V
C3017		NCB30JK-105X	CAPACITOR 1μF,6.3V	C3907		NCBA1AK-104W	CAPACITOR,C,D 0.1μF,10V
C3018		NCBA1EK-472W	CAPACITOR 0.0047μF,25V	C3908		NCBA1AK-104W	CAPACITOR,C,D 0.1μF,10V
C3019		NDCA1EJ-271W	CAPACITOR 270pF,25V	C3909		NCBA1AK-104W	CAPACITOR,C,D 0.1μF,10V
C3021		NCBA1AK-104W	CAPACITOR 0.1μF,10V	C3910		NCBA1AK-104W	CAPACITOR,C,D 0.1μF,10V

#	△ REF No.	PART No.	PART NAME, DESCRIPTION	#	△ REF No.	PART No.	PART NAME, DESCRIPTION	
C3911		NCBA1AK-104W	CAPACITOR,C,D	0.1μF,10V	C4308	NCBA1AK-104W	CAPACITOR	0.1μF,10V
C3912		NCBA1AK-104W	CAPACITOR,C,D	0.1μF,10V	C4309	NCBA1AK-104W	CAPACITOR	0.1μF,10V
C3913		NCBA1AK-104W	CAPACITOR,C,D	0.1μF,10V	C4310	NBG40GM-226X	T CAPACITOR	22μF,4.0V
C3914		NCBA1AK-104W	CAPACITOR,C,D	0.1μF,10V	C4312	NCBA1AK-104W	CAPACITOR	0.1μF,10V
C3916		NBE20JM-106X	T CAPACITOR,C,D	10μF,6.3V	C4313	NCBA1AK-104W	CAPACITOR	0.1μF,10V
C3917		NCBA1AK-104W	CAPACITOR,C,D	0.1μF,10V	C4315	NCBA1AK-104W	CAPACITOR	0.1μF,10V
C3919		NCB21CK-105X	CAPACITOR,C,D	1μF,16V	C4316	NCBA1AK-104W	CAPACITOR	0.1μF,10V
C3920		NCB21CK-105X	CAPACITOR,C,D	1μF,16V	C4317	NCBA1AK-104W	CAPACITOR	0.1μF,10V
C3951		NBE90JM-106X	T CAPACITOR,C,D	10μF,6.3V	C4318	NCBA1AK-104W	CAPACITOR	0.1μF,10V
C3952		NCB30JK-105X	CAPACITOR,C,D	1μF,6.3V	C4319	NCBA1AK-104W	CAPACITOR	0.1μF,10V
C3954		NCBA1AK-104W	CAPACITOR,C,D	0.1μF,10V	C4320	NCBA1AK-104W	CAPACITOR	0.1μF,10V
C3955		NDCA1HJ-3R0W	CAPACITOR,C,D	3pF,50V	C4321	NCBA1AK-104W	CAPACITOR	0.1μF,10V
C3956		NDCA1HJ-5R0W	CAPACITOR,C,D	5pF,50V	C4322	NCBA1AK-104W	CAPACITOR	0.1μF,10V
C3957		NDCA1HJ-330W	CAPACITOR,C,D	33pF,50V	C4323	NBE90JM-106X	T CAPACITOR	10μF,6.3V
C3958		NCB20JM-475X	CAPACITOR,C,D	4.7μF,6.3V	C4351	NCBA1AK-104W	CAPACITOR	0.1μF,10V
C3959		NCBA1CK-103W	CAPACITOR,C,D	0.01μF,16V	C4352	NCBA1AK-104W	CAPACITOR	0.1μF,10V
C3961		NCBA1HK-102W	CAPACITOR,C,D	0.001μF,50V	C4353	NCB30JK-105X	CAPACITOR	1μF,6.3V
C3962		NDCA1HJ-3R0W	CAPACITOR,C,D	3pF,50V	C4354	NCBA1AK-104W	CAPACITOR,A,B	0.1μF,10V
C3963		NDCA1HJ-5R0W	CAPACITOR,C,D	5pF,50V	C4355	NCB30JK-105X	CAPACITOR	1μF,6.3V
C3964		NDCA1HJ-330W	CAPACITOR,C,D	33pF,50V	C4357	NCB30JK-105X	CAPACITOR	1μF,6.3V
C3965		NCBA1HK-102W	CAPACITOR,C,D	0.001μF,50V	C4359	NCB30JK-105X	CAPACITOR	1μF,6.3V
C3967		NCBA1CK-103W	CAPACITOR,C,D	0.01μF,16V	C4361	NCBA1AK-104W	CAPACITOR	0.1μF,10V
C3968		NCBA1CK-103W	CAPACITOR,C,D	0.01μF,16V	C4362	NCBA1AK-104W	CAPACITOR	0.1μF,10V
C4101		NCF31EZ-104X	CAPACITOR	0.1μF,25V	C4363	NCBA1AK-104W	CAPACITOR	0.1μF,10V
C4102		NBP41EM-475X	T CAPACITOR	4.7μF,25V	C4364	NCBA1AK-104W	CAPACITOR	0.1μF,10V
C4103		NCF31EZ-104X	CAPACITOR	0.1μF,25V	C4365	NBE90JM-106X	T CAPACITOR	10μF,6.3V
C4104		NCBA1AK-104W	CAPACITOR	0.1μF,10V	C4401	NBE90GM-226X	T CAPACITOR	22μF,4.0V
C4105		NBE41AM-476X	T CAPACITOR	47μF,10V	C4402	NCBA1CK-103W	CAPACITOR	0.01μF,16V
C4106		NCBA1AK-104W	CAPACITOR	0.1μF,10V	C4801	NBE21AM-106X	T CAPACITOR	10μF,10V
C4107		NCBA1AK-104W	CAPACITOR	0.1μF,10V	C4802	NCFA1AZ-104W	CAPACITOR	0.1μF,10V
C4108		NBP21VM-105X	T CAPACITOR	1μF,35V	C4803	NBE90JM-106X	T CAPACITOR	10μF,6.3V
C4109		NCF31EZ-104X	CAPACITOR	0.1μF,25V	C4804	NCFA1AZ-104W	CAPACITOR	0.1μF,10V
C4201		NBE40JM-476X	T CAPACITOR	47μF,6.3V	C4805	NCFA1AZ-104W	CAPACITOR	0.1μF,10V
C4202		NBE20GM-476X	T CAPACITOR	47μF,4.0V	C4806	NCFA1AZ-104W	CAPACITOR	0.1μF,10V
C4203		NCBA1CK-103W	CAPACITOR	0.01μF,16V	C4808	NCB30JK-105X	CAPACITOR	1μF,6.3V
C4204		NCBA1AK-104W	CAPACITOR	0.1μF,10V	C4809	NCFA1AZ-104W	CAPACITOR	0.1μF,10V
C4205		NBE20GM-476X	T CAPACITOR	47μF,4.0V	C4810	NCFA1HZ-103W	CAPACITOR	0.01μF,50V
C4207		NBE90JM-106X	T CAPACITOR	10μF,6.3V	C4811	NCFA1HZ-103W	CAPACITOR	0.01μF,50V
C4208		NCBA1AK-104W	CAPACITOR	0.1μF,10V	C4812	NCFA1AZ-104W	CAPACITOR	0.1μF,10V
C4209		NCBA1AK-104W	CAPACITOR	0.1μF,10V	C4813	NCFA1AZ-104W	CAPACITOR	0.1μF,10V
C4210		NCB30JK-105X	CAPACITOR	1μF,6.3V	C4814	NCFA1AZ-104W	CAPACITOR	0.1μF,10V
C4211		NCB30JK-105X	CAPACITOR	1μF,6.3V	C4818	NCFA1AZ-104W	CAPACITOR	0.1μF,10V
C4212		NCBA1CK-123W	CAPACITOR	0.012μF,16V	C4819	NCB30JK-105X	CAPACITOR	1μF,6.3V
C4213		NCB30JK-105X	CAPACITOR	1μF,6.3V	C4820	NCFA1AZ-104W	CAPACITOR	0.1μF,10V
C4214		NCBA1AK-104W	CAPACITOR	0.1μF,10V	C4821	NCFA1AZ-104W	CAPACITOR	0.1μF,10V
C4215		NCB30JK-105X	CAPACITOR	1μF,6.3V	C4851	NBE90JM-106X	T CAPACITOR	10μF,6.3V
C4216		NCB30JK-105X	CAPACITOR	1μF,6.3V	C4852	NCFA1AZ-104W	CAPACITOR	0.1μF,10V
C4217		NCB30JK-105X	CAPACITOR	1μF,6.3V	C4853	NBE91AM-335X	T CAPACITOR	3.3μF,10V
C4218		NCBA1AK-104W	CAPACITOR	0.1μF,10V	C4854	NBE21AM-106X	T CAPACITOR	10μF,10V
C4219		NCBA1AK-104W	CAPACITOR	0.1μF,10V	C4855	NCB31CK-104X	CAPACITOR	0.1μF,16V
C4220		NCBA1AK-104W	CAPACITOR	0.1μF,10V	C4858	NDCA1HJ-330W	CAPACITOR	33pF,50V
C4221		NCBA1CK-103W	CAPACITOR	0.01μF,16V	C4859	NCBA1HK-102W	CAPACITOR	0.001μF,50V
C4222		NCBA1CK-103W	CAPACITOR	0.01μF,16V	C4860	NCBA1HK-102W	CAPACITOR	0.001μF,50V
C4223		NCBA1CK-103W	CAPACITOR	0.01μF,16V	C4861	NCBA1HK-102W	CAPACITOR	0.001μF,50V
C4224		NCBA1CK-103W	CAPACITOR	0.01μF,16V	C4862	NCBA1HK-102W	CAPACITOR	0.001μF,50V
C4225		NCBA1CK-103W	CAPACITOR	0.01μF,16V	C4863	NCBA1AK-104W	CAPACITOR	0.1μF,10V
C4226		NCBA1CK-103W	CAPACITOR	0.01μF,16V	C4864	NBE90JM-106X	T CAPACITOR	10μF,6.3V
C4301		NCB30JK-105X	CAPACITOR	1μF,6.3V	C4865	NCBA1AK-104W	CAPACITOR	0.1μF,10V
C4302		NBE90JM-106X	T CAPACITOR	10μF,6.3V	C4901	NBE90JM-106X	T CAPACITOR	10μF,6.3V
C4303		NCBA1AK-104W	CAPACITOR	0.1μF,10V	C4902	NCFA1AZ-104W	CAPACITOR	0.1μF,10V
C4304		NBE90JM-106X	T CAPACITOR	10μF,6.3V	C4903	NCFA1AZ-104W	CAPACITOR	0.1μF,10V
C4306		NCB30JK-105X	CAPACITOR	1μF,6.3V	C4906	NCB30JK-105X	CAPACITOR	1μF,6.3V
C4307		NBE90JM-106X	T CAPACITOR	10μF,6.3V	C4907	NCFA1AZ-104W	CAPACITOR	0.1μF,10V

#	△ REF No.	PART No.	PART NAME, DESCRIPTION	#	△ REF No.	PART No.	PART NAME, DESCRIPTION
C4908		NCFA1HZ-103W	CAPACITOR 0.01μF,50V	L3009		NQL085J-2R2X	COIL 2.2μH
C4909		NCFA1AZ-104W	CAPACITOR 0.1μF,10V	L3305		NQR0006-001X	FERRITE BEAD
C4910		NCFA1HZ-103W	CAPACITOR 0.01μF,50V	L3312		NQL085J-120X	COIL 12μH
C4911		NCFA1HZ-103W	CAPACITOR 0.01μF,50V	L3313		NQL085J-100X	COIL 10μH
C4912		NCBA1HK-102W	CAPACITOR 0.001μF,50V	L3701		NQL302N-100X	COIL 10μH
C4913		NCFA1AZ-104W	CAPACITOR 0.1μF,10V	L3901		NQR0006-001X	FERRITE BEAD,C,D
C4914		NCFA1AZ-104W	CAPACITOR 0.1μF,10V	L3902		NQR0305-001X	FERRITE BEAD,C,D
C4915		NCBA1HK-331W	CAPACITOR 330pF,50V	L3903		NQR0305-001X	FERRITE BEAD,C,D
C4917		NCBA1HK-331W	CAPACITOR 330pF,50V	L3951		NQL302N-100X	COIL,C,D 10μH
C4919		NCB30JK-105X	CAPACITOR 1μF,6.3V	L3952		NQL085J-6R8X	COIL,C,D 6.8μH
C4920		NCFA1AZ-104W	CAPACITOR 0.1μF,10V	L3953		NQL085J-6R8X	COIL,C,D 6.8μH
C4921		NCFA1AZ-104W	CAPACITOR 0.1μF,10V	L4101		NQR0129-002X	FERRITE BEAD
C4922		NBE21AM-106X	T CAPACITOR 10μF,10V	L4102		NQL045K-100X	COIL 10μH
C4923		NCFA1AZ-104W	CAPACITOR 0.1μF,10V	L4103		NQR0129-002X	FERRITE BEAD
C5001		NCBA1AK-104W	CAPACITOR 0.1μF,10V	L4104		NQL045K-100X	COIL 10μH
C5002		NCBA1AK-104W	CAPACITOR 0.1μF,10V	L4201		NQR0265-001X	FERRITE BEAD
C5003		NBE40JM-476X	T CAPACITOR 47μF,6.3V	L4202		NQL402M-100X	COIL 10μH
C5004		NCBA1AK-104W	CAPACITOR 0.1μF,10V	L4203		NQR0265-001X	FERRITE BEAD
C5005		NCBA1AK-104W	CAPACITOR 0.1μF,10V	L4301		NQR0265-001X	FERRITE BEAD
C5006		NCBA1AK-104W	CAPACITOR 0.1μF,10V	L4302		NQR0265-001X	FERRITE BEAD
C5007		NCB30JK-105X	CAPACITOR 1μF,6.3V	L4303		NQR0265-001X	FERRITE BEAD
C5008		NBE90JM-106X	T CAPACITOR 10μF,6.3V	L4305		NQR0265-001X	FERRITE BEAD
C5009		NCBA1AK-104W	CAPACITOR 0.1μF,10V	L4306		NQR0129-002X	FERRITE BEAD
C5011		NCBA1AK-104W	CAPACITOR 0.1μF,10V	L4307		NQR0265-001X	FERRITE BEAD
C5012		NCBA1AK-104W	CAPACITOR 0.1μF,10V	L4351		NQL402M-100X	COIL 10μH
C5013		NCBA1AK-104W	CAPACITOR 0.1μF,10V	L4401		NQR0006-001X	FERRITE BEAD
C5014		NBM90JM-226X	T CAPACITOR 22μF,6.3V	L4801		NQL302N-100X	COIL 10μH
C5017		NCBA1AK-104W	CAPACITOR 0.1μF,10V	L4802		NQL302N-100X	COIL 10μH
C5018		NCB30JK-105X	CAPACITOR 1μF,6.3V	L4851		NQR0129-002X	FERRITE BEAD
C5019		NCB30JK-105X	CAPACITOR 1μF,6.3V	L4852		NQL315K-100X	COIL 10μH
C5221		NCF31EZ-104X	CAPACITOR 0.1μF,25V	L4853		NQL315K-100X	COIL 10μH
C5222		NCBA1AK-104W	CAPACITOR 0.1μF,10V	L4901		NQL315K-100X	COIL 10μH
C5223		NBP41EM-475X	T CAPACITOR 4.7μF,25V	L4902		NQL315K-100X	COIL 10μH
C5224		NBE41AM-476X	T CAPACITOR 47μF,10V	L5001		NQR0129-002X	FERRITE BEAD
C5225		NBE41AM-476X	T CAPACITOR 47μF,10V	L5002		NQL045K-100X	COIL 10μH
C5227		NCF31EZ-104X	CAPACITOR 0.1μF,25V	L5003		NQR0129-002X	FERRITE BEAD
C5228		NCBA1AK-104W	CAPACITOR 0.1μF,10V	L5004		NQR0129-002X	FERRITE BEAD
C5230		NBE41AM-476X	T CAPACITOR 47μF,10V	L5005		NQR0129-002X	FERRITE BEAD
C5231		NBE41AM-476X	T CAPACITOR 47μF,10V	L5201		NQR0129-002X	FERRITE BEAD
C5232		NBE41AM-476X	T CAPACITOR 47μF,10V	L5202		NQR0129-002X	FERRITE BEAD
C6001		NCBA1AK-104W	CAPACITOR 0.1μF,10V	L5203		NQL045K-100X	COIL 10μH
C6002		NCBA1CK-103W	CAPACITOR 0.01μF,16V	L5204		NQL045K-100X	COIL 10μH
C6003		NCBA1AK-104W	CAPACITOR 0.1μF,10V	L5207		NQL402M-100X	COIL 10μH
C6004		NBE90JM-106X	T CAPACITOR 10μF,6.3V	L5208		NQL402M-100X	COIL 10μH
C6005		NBP21CM-685X	T CAPACITOR 6.8μF,16V	L6001		NQL402M-100X	COIL 10μH
C6006		NCF31AZ-105X	CAPACITOR 1μF,10V	X1001		NAX0450-001X	C OSCILLATOR
C6007		NBE90JM-106X	T CAPACITOR 10μF,6.3V	X1002		NAX0267-001X	CRYSTAL RESONATOR
C6008		NCBA1AK-104W	CAPACITOR 0.1μF,10V	X3002		NAX0206-001X	CRYSTAL RESONATOR
C6009		NCBA1CK-103W	CAPACITOR 0.01μF,16V	X3301		NAX0169-001X	CRYSTAL RESONATOR
L1001		NQR0265-001X	FERRITE BEAD	X4301		NAX0332-001X	CXO
L1002		NQR0265-001X	FERRITE BEAD	WR1		WJT0040-001A	E-CARD WIRE,CN113-EJECT CN2422
L1003		NQR0265-001X	FERRITE BEAD	WR2		WJV0042-001A	E-PRIMARY WIRE,TL2001-TL4202
L1004		NQL085J-390X	COIL,A,B 39μH	J602		NNZ0041-001X	D CONNECTOR
L1201		NQL315K-100X	COIL 10μH	CN101		QGA1002F1-02X	CONNECTOR
L1401		NQR0006-001X	FERRITE BEAD	CN102		QGF0513F1-20X	FPC CONNECTOR
L1402		NRSA02J-0R0X	MG RESISTOR 0Ω,1/10W	CN103		QGA1001F1-02X	CONNECTOR
L2001		NQR0006-001X	FERRITE BEAD	CN104		QGF0301F1-39X	FPC CONNECTOR
L3001		NQR0006-001X	FERRITE BEAD	CN105		QGB0403M1-C0X	CONNECTOR
L3002		NQR0006-001X	FERRITE BEAD	CN106		QGB0404M1-80X	CONNECTOR
L3003		NQR0006-001X	FERRITE BEAD	CN107		QGB0509M1-30X	CONNECTOR
L3004		NQR0006-001X	FERRITE BEAD	CN108		QGB0512L2-50X	CONNECTOR
L3005		NQR0006-001X	FERRITE BEAD	CN109		QGB0507L1-80X	CONNECTOR
L3006		NQR0006-001X	FERRITE BEAD	CN110		QGF0517F2-22X	FPC CONNECTOR

#	△ REF No.	PART No.	PART NAME, DESCRIPTION
	CN111	QGF0517F2-24X	FPC CONNECTOR
	CN112	QGB0402J1-80X	CONNECTOR
	CN113	QGF0501F1-13X	FPC CONNECTOR
	OT1	LY30029-0H1A	SPACER(A)
	OT2	LY30016-0P9A	SPACER-A

#	△ REF No.	PART No.	PART NAME, DESCRIPTION
	R8033	NRSA6AJ-0R0W	MG RESISTOR 0Ω,1/16W
	R8034	NRSA6AJ-0R0W	MG RESISTOR 0Ω,1/16W
	R8035	NRSA6AJ-0R0W	MG RESISTOR 0Ω,1/16W
	R8036	NRSA6AJ-0R0W	MG RESISTOR 0Ω,1/16W
	R8037	NRSA6AJ-0R0W	MG RESISTOR 0Ω,1/16W
	R8038	NRSA6AJ-473W	MG RESISTOR 47kΩ,1/16W
	R8039	NRSA6AJ-0R0W	MG RESISTOR 0Ω,1/16W
	R8040	NRSA6AJ-105W	MG RESISTOR 1MΩ,1/16W
	R8041	NRSA6AJ-103W	MG RESISTOR 10kΩ,1/16W
	R8042	NRSA6AJ-0R0W	MG RESISTOR 0Ω,1/16W
	R8043	NRSA6AJ-0R0W	MG RESISTOR 0Ω,1/16W
	R8044	NRSA6AJ-0R0W	MG RESISTOR 0Ω,1/16W
	R8045	NRSA6AJ-103W	MG RESISTOR 10kΩ,1/16W
	R8046	NRSA6AJ-103W	MG RESISTOR 10kΩ,1/16W
	R8047	NRSA6AJ-101W	MG RESISTOR 100Ω,1/16W
	R8049	NRSA6AJ-0R0W	MG RESISTOR 0Ω,1/16W
	R8050	NRSA6AJ-0R0W	MG RESISTOR 0Ω,1/16W
	R8051	NRSA6AJ-473W	MG RESISTOR 47kΩ,1/16W
	R8052	NRSA6AJ-101W	MG RESISTOR 100Ω,1/16W
	R8053	NRSA6AJ-103W	MG RESISTOR 10kΩ,1/16W
	R8054	NRSA6AJ-0R0W	MG RESISTOR 0Ω,1/16W
	R8055	NRSA6AJ-0R0W	MG RESISTOR 0Ω,1/16W
	R8056	NRSA6AJ-0R0W	MG RESISTOR 0Ω,1/16W
	R8057	NRSA6AJ-0R0W	MG RESISTOR 0Ω,1/16W
	R8058	NRSA6AJ-333W	MG RESISTOR 33kΩ,1/16W
	R8059	NRSA6AJ-333W	MG RESISTOR 33kΩ,1/16W
	R8060	NRSA6AJ-333W	MG RESISTOR 33kΩ,1/16W
	R8061	NRSA6AJ-333W	MG RESISTOR 33kΩ,1/16W
	R8062	NRSA6AJ-333W	MG RESISTOR 33kΩ,1/16W
	R8063	NRSA6AJ-333W	MG RESISTOR 33kΩ,1/16W
	R8064	NRSA6AJ-333W	MG RESISTOR 33kΩ,1/16W
	R8065	NRSA6AJ-333W	MG RESISTOR 33kΩ,1/16W
	R8066	NRSA6AJ-333W	MG RESISTOR 33kΩ,1/16W
	R8067	NRSA6AJ-333W	MG RESISTOR 33kΩ,1/16W
	R8068	NRSA6AJ-333W	MG RESISTOR 33kΩ,1/16W
	R8069	NRSA6AJ-333W	MG RESISTOR 33kΩ,1/16W
	R8070	NRSA6AJ-333W	MG RESISTOR 33kΩ,1/16W
	R8071	NRSA6AJ-333W	MG RESISTOR 33kΩ,1/16W
	R8072	NRSA6AJ-333W	MG RESISTOR 33kΩ,1/16W
	R8073	NRSA6AJ-333W	MG RESISTOR 33kΩ,1/16W
	R8074	NRSA6AJ-0R0W	MG RESISTOR 0Ω,1/16W
	R8075	NRSA6AJ-0R0W	MG RESISTOR 0Ω,1/16W
	R8076	NRSA6AJ-0R0W	MG RESISTOR 0Ω,1/16W
	R8077	NRSA6AJ-0R0W	MG RESISTOR 0Ω,1/16W
	R8078	NRSA6AJ-0R0W	MG RESISTOR 0Ω,1/16W
	R8079	NRSA6AJ-0R0W	MG RESISTOR 0Ω,1/16W
	R8080	NRSA6AJ-0R0W	MG RESISTOR 0Ω,1/16W
	R8081	NRSA6AJ-0R0W	MG RESISTOR 0Ω,1/16W
	R8082	NRSA6AJ-0R0W	MG RESISTOR 0Ω,1/16W
	R8083	NRSA6AJ-0R0W	MG RESISTOR 0Ω,1/16W
	R8084	NRSA6AJ-0R0W	MG RESISTOR 0Ω,1/16W
	R8086	NRSA6AJ-103W	MG RESISTOR 10kΩ,1/16W
	R8087	NRSA6AJ-0R0W	MG RESISTOR 0Ω,1/16W
	R8221	NRSA6AJ-0R0W	MG RESISTOR 0Ω,1/16W
	R8222	NRSA6AJ-0R0W	MG RESISTOR 0Ω,1/16W
	R8223	NRSA6AJ-0R0W	MG RESISTOR 0Ω,1/16W
	R8224	NRSA6AJ-0R0W	MG RESISTOR 0Ω,1/16W
	R8225	NRSA6AJ-0R0W	MG RESISTOR 0Ω,1/16W
	R8226	NRSA6AJ-0R0W	MG RESISTOR 0Ω,1/16W
	R8227	NRSA6AJ-0R0W	MG RESISTOR 0Ω,1/16W
	R8228	NRSA6AJ-103W	MG RESISTOR 10kΩ,1/16W
	R8229	NRSA6AJ-273W	MG RESISTOR 27kΩ,1/16W
	R8230	NRSA6AJ-0R0W	MG RESISTOR 0Ω,1/16W

DSC BOARD ASSEMBLY <02>

PW	YB10302B-01	DSC BOARD ASSY, A,B,C	
	YB10302B-02	DSC BOARD ASSY, D	
IC8001	JCY0121-4	IC	
IC8003	M32310D5WG	IC	
IC8004	MBV800TA10PTA17	IC(MICRO C ROM)	
	or MBV800TA12PTA17	IC(MICRO C ROM)	
	or MBV800TA90PTA17	IC(MICRO C ROM)	
	or 39VF800A7CEKA02	IC(MICRO C ROM)	
	or 39VF800A9CEKA02	IC(MICRO C ROM)	
IC8006	MM1385NN	IC	
IC8007	MM1385EN	IC	
IC8008	TC7WHU04FU	IC	
IC8009	TC7WH34FK	IC	
IC8201	JCY0145-2	IC	
IC8202	MM1385GN	IC	
IC8203	K4S643232C-TC70	IC	
	or K4S643232C-TC80	IC	
IC8204	K4S641632D-TC1H	IC	
	or K4S641632D-TC1L	IC	
IC8401	ML60851CLB	IC	
IC8402	S-80842ANNP-W	IC	
Q8401	DTA114EE	TRANSISTOR	
	or RN2101	TRANSISTOR	
	or UN9111J	TRANSISTOR	
D8001	RB751V-40-X	SB DIODE	
D8401	1SS355	DIODE	
R8002	NRSA6AJ-0R0W	MG RESISTOR	0Ω,1/16W
R8004	NRSA6AJ-0R0W	MG RESISTOR	0Ω,1/16W
R8006	NRSA6AJ-0R0W	MG RESISTOR	0Ω,1/16W
R8007	NRSA6AJ-103W	MG RESISTOR	10kΩ,1/16W
R8008	NRSA6AJ-0R0W	MG RESISTOR	0Ω,1/16W
R8011	NRSA6AJ-0R0W	MG RESISTOR	0Ω,1/16W
R8012	NRSA6AJ-103W	MG RESISTOR	10kΩ,1/16W
R8013	NRSA6AJ-101W	MG RESISTOR	100Ω,1/16W
R8014	NRSA6AJ-0R0W	MG RESISTOR	0Ω,1/16W
R8015	NRSA6AJ-133W	MG RESISTOR	13kΩ,1/16W
R8017	NRSA6AJ-0R0W	MG RESISTOR	0Ω,1/16W
R8020	NRSA6AJ-0R0W	MG RESISTOR	0Ω,1/16W
R8021	NRSA6AJ-0R0W	MG RESISTOR	0Ω,1/16W
R8022	NRSA6AJ-0R0W	MG RESISTOR	0Ω,1/16W
R8023	NRSA6AJ-0R0W	MG RESISTOR	0Ω,1/16W
R8024	NRSA6AJ-0R0W	MG RESISTOR	0Ω,1/16W
R8025	NRSA6AJ-0R0W	MG RESISTOR	0Ω,1/16W
R8026	NRSA6AJ-0R0W	MG RESISTOR	0Ω,1/16W
R8027	NRSA6AJ-0R0W	MG RESISTOR	0Ω,1/16W
R8028	NRSA6AJ-0R0W	MG RESISTOR	0Ω,1/16W
R8029	NRSA6AJ-0R0W	MG RESISTOR	0Ω,1/16W
R8030	NRSA6AJ-103W	MG RESISTOR	10kΩ,1/16W
R8031	NRSA6AJ-0R0W	MG RESISTOR	0Ω,1/16W
R8032	NRSA6AJ-0R0W	MG RESISTOR	0Ω,1/16W

#	△ REF No.	PART No.	PART NAME, DESCRIPTION		#	△ REF No.	PART No.	PART NAME, DESCRIPTION	
	R8231	NRSA6AJ-0R0W	MG RESISTOR	0Ω,1/16W		C8048	NBE80GM-226X	T CAPACITOR	22μF,4.0V
	R8235	NRSA6AJ-0R0W	MG RESISTOR	0Ω,1/16W		C8049	NCBA1CK-103W	CAPACITOR	0.01μF,16V
	R8238	NRSA6AJ-0R0W	MG RESISTOR	0Ω,1/16W		C8050	NCBA1CK-103W	CAPACITOR	0.01μF,16V
	R8239	NRSA6AJ-0R0W	MG RESISTOR	0Ω,1/16W		C8051	NBE80GM-226X	T CAPACITOR	22μF,4.0V
	R8248	NRSA6AJ-0R0W	MG RESISTOR	0Ω,1/16W		C8052	NCBA1CK-103W	CAPACITOR	0.01μF,16V
	R8249	NRSA6AJ-0R0W	MG RESISTOR	0Ω,1/16W		C8054	NCB31HK-392X	CAPACITOR	0.0039μF,50V
	R8401	NRSA6AJ-105W	MG RESISTOR	1MΩ,1/16W		C8056	NCBA1CK-103W	CAPACITOR	0.01μF,16V
	R8402	NRS181J-220X	MG RESISTOR	22Ω,1/8W		C8057	NCBA1CK-103W	CAPACITOR	0.01μF,16V
	R8403	NRS181J-220X	MG RESISTOR	22Ω,1/8W		C8058	NCBA1AK-104W	CAPACITOR	0.1μF,10V
	R8404	NRSA6AJ-152W	MG RESISTOR	1.5kΩ,1/16W		C8059	NCBA1CK-103W	CAPACITOR	0.01μF,16V
	R8405	NRSA6AJ-105W	MG RESISTOR	1MΩ,1/16W		C8060	NCBA1CK-103W	CAPACITOR	0.01μF,16V
	R8406	NRSA6AJ-153W	MG RESISTOR	15kΩ,1/16W		C8062	NCB30JK-105X	CAPACITOR	1μF,6.3V
	R8407	NRSA6AJ-0R0W	MG RESISTOR	0Ω,1/16W		C8063	NBE80GM-226X	T CAPACITOR	22μF,4.0V
	RA8001	NRZ0034-100W	NETWORK RESISTOR	10Ω		C8064	NBE80GM-226X	T CAPACITOR	22μF,4.0V
	RA8002	NRZ0034-100W	NETWORK RESISTOR	10Ω		C8065	NBE80GM-226X	T CAPACITOR	22μF,4.0V
	RA8003	NRZ0034-100W	NETWORK RESISTOR	10Ω		C8201	NCBA1AK-104W	CAPACITOR	0.1μF,10V
	RA8004	NRZ0034-100W	NETWORK RESISTOR	10Ω		C8202	NBE90JM-106X	T CAPACITOR	10μF,6.3V
	RA8201	NRZ0034-0R0W	NETWORK RESISTOR	0Ω		C8203	NCBA1AK-104W	CAPACITOR	0.1μF,10V
	RA8202	NRZ0034-0R0W	NETWORK RESISTOR	0Ω		C8204	NBE90JM-106X	T CAPACITOR	10μF,6.3V
	RA8203	NRZ0034-0R0W	NETWORK RESISTOR	0Ω		C8205	NCBA1AK-104W	CAPACITOR	0.1μF,10V
	RA8204	NRZ0034-0R0W	NETWORK RESISTOR	0Ω		C8206	NCBA1AK-104W	CAPACITOR	0.1μF,10V
	RA8222	NRZ0034-0R0W	NETWORK RESISTOR	0Ω		C8207	NCBA1AK-104W	CAPACITOR	0.1μF,10V
	RA8223	NRZ0034-0R0W	NETWORK RESISTOR	0Ω		C8208	NCBA1AK-104W	CAPACITOR	0.1μF,10V
	RA8224	NRZ0034-0R0W	NETWORK RESISTOR	0Ω		C8209	NCBA1AK-104W	CAPACITOR	0.1μF,10V
	RA8225	NRZ0034-0R0W	NETWORK RESISTOR	0Ω		C8210	NCBA1AK-104W	CAPACITOR	0.1μF,10V
	RA8401	NRZ0034-221W	NETWORK RESISTOR	220Ω		C8211	NCBA1AK-104W	CAPACITOR	0.1μF,10V
	RA8402	NRZ0034-221W	NETWORK RESISTOR	220Ω		C8212	NCBA1AK-104W	CAPACITOR	0.1μF,10V
	RA8403	NRZ0034-0R0W	NETWORK RESISTOR	0Ω		C8213	NCBA1AK-104W	CAPACITOR	0.1μF,10V
	RA8404	NRZ0034-0R0W	NETWORK RESISTOR	0Ω		C8214	NCBA1AK-104W	CAPACITOR	0.1μF,10V
	C8006	NCBA1AK-104W	CAPACITOR	0.1μF,10V		C8215	NCBA1AK-104W	CAPACITOR	0.1μF,10V
	C8007	NBE90JM-106X	T CAPACITOR	10μF,6.3V		C8216	NCBA1AK-473W	CAPACITOR	0.047μF,10V
	C8008	NCB30JK-105X	CAPACITOR	1μF,6.3V		C8217	NCBA1AK-104W	CAPACITOR	0.1μF,10V
	C8009	NCBA1AK-104W	CAPACITOR	0.1μF,10V		C8218	NCBA1AK-104W	CAPACITOR	0.1μF,10V
	C8010	NBE90JM-106X	T CAPACITOR	10μF,6.3V		C8219	NCB30JK-105X	CAPACITOR	1μF,6.3V
	C8011	NCB30JK-105X	CAPACITOR	1μF,6.3V		C8220	NBE90JM-106X	T CAPACITOR	10μF,6.3V
	C8017	NCBA1AK-104W	CAPACITOR	0.1μF,10V		C8221	NCBA1AK-104W	CAPACITOR	0.1μF,10V
	C8020	NBE90JM-106X	T CAPACITOR	10μF,6.3V		C8222	NBE90JM-106X	T CAPACITOR	10μF,6.3V
	C8021	NCBA1CK-103W	CAPACITOR	0.01μF,16V		C8223	NCBA1AK-104W	CAPACITOR	0.1μF,10V
	C8022	NCBA1CK-103W	CAPACITOR	0.01μF,16V		C8224	NBE90JM-106X	T CAPACITOR	10μF,6.3V
	C8023	NCBA1CK-103W	CAPACITOR	0.01μF,16V		C8225	NCBA1AK-104W	CAPACITOR	0.1μF,10V
	C8024	NCBA1CK-103W	CAPACITOR	0.01μF,16V		C8226	NCBA1AK-104W	CAPACITOR	0.1μF,10V
	C8025	NCBA1CK-103W	CAPACITOR	0.01μF,16V		C8227	NCBA1AK-104W	CAPACITOR	0.1μF,10V
	C8026	NCBA1CK-103W	CAPACITOR	0.01μF,16V		C8228	NBE90JM-106X	T CAPACITOR	10μF,6.3V
	C8027	NCBA1CK-103W	CAPACITOR	0.01μF,16V		C8229	NCBA1AK-104W	CAPACITOR	0.1μF,10V
	C8028	NCBA1CK-103W	CAPACITOR	0.01μF,16V		C8230	NCBA1AK-104W	CAPACITOR	0.1μF,10V
	C8029	NCBA1CK-103W	CAPACITOR	0.01μF,16V		C8231	NCBA1AK-104W	CAPACITOR	0.1μF,10V
	C8030	NCBA1CK-103W	CAPACITOR	0.01μF,16V		C8401	NBE90JM-106X	T CAPACITOR	10μF,6.3V
	C8031	NCBA1CK-103W	CAPACITOR	0.01μF,16V		C8402	NCBA1AK-104W	CAPACITOR	0.1μF,10V
	C8032	NCBA1CK-103W	CAPACITOR	0.01μF,16V		C8403	NCBA1AK-104W	CAPACITOR	0.1μF,10V
	C8033	NCBA1CK-103W	CAPACITOR	0.01μF,16V		C8404	NCBA1AK-104W	CAPACITOR	0.1μF,10V
	C8034	NCBA1CK-103W	CAPACITOR	0.01μF,16V		L8001	NQR0129-002X	FERRITE BEAD	
	C8035	NCBA1CK-103W	CAPACITOR	0.01μF,16V		L8002	NQR0129-002X	FERRITE BEAD	
	C8036	NCBA1CK-103W	CAPACITOR	0.01μF,16V		L8003	NQR0129-002X	FERRITE BEAD	
	C8037	NCBA1CK-103W	CAPACITOR	0.01μF,16V		L8005	NQR0129-002X	FERRITE BEAD	
	C8038	NCBA1CK-103W	CAPACITOR	0.01μF,16V		L8006	NQR0129-002X	FERRITE BEAD	
	C8039	NCBA1CK-103W	CAPACITOR	0.01μF,16V		L8007	NQR0129-002X	FERRITE BEAD	
	C8040	NCBA1CK-103W	CAPACITOR	0.01μF,16V		L8008	NQR0129-002X	FERRITE BEAD	
	C8041	NCBA1CK-103W	CAPACITOR	0.01μF,16V		L8010	NQR0129-002X	FERRITE BEAD	
	C8042	NCBA1CK-103W	CAPACITOR	0.01μF,16V		L8201	NQR0265-001X	FERRITE BEAD	
	C8043	NCBA1CK-103W	CAPACITOR	0.01μF,16V		L8202	NQR0265-001X	FERRITE BEAD	
	C8044	NBE80GM-226X	T CAPACITOR	22μF,4.0V		L8203	NQR0265-001X	FERRITE BEAD	
	C8045	NBE80GM-226X	T CAPACITOR	22μF,4.0V		L8204	NQR0265-001X	FERRITE BEAD	
	C8046	NBE90JM-106X	T CAPACITOR	10μF,6.3V		L8205	NQR0265-001X	FERRITE BEAD	

#	△ REF No.	PART No.	PART NAME, DESCRIPTION
L8206		NQR0265-001X	FERRITE BEAD
L8402		NQR0265-001X	FERRITE BEAD
X8002		NAX0354-001X	RESONATOR
X8401		NAX0398-001X	C OSCILLATOR
HS1		LY40035-001A	HEAT SINK(DSC)
WR1		QUB450-03A2VL	SIN TWIST WIRE,LUG WIRE
CN8401		QGB0403L1-C0X	CONNECTOR
CN8402		QGF0517F1-20X	FPC CONNECTOR
OT1		LY30029-0D5A	SPACER(A)

#	△ REF No.	PART No.	PART NAME, DESCRIPTION
R1644		NRSA6AJ-0ROW	MG RESISTOR 0Ω,1/16W
R1701		NRSA6AJ-823W	MG RESISTOR 82kΩ,1/16W
R1702		NRSA6AJ-222W	MG RESISTOR 2.2kΩ,1/16W
R1703		NRSA6AJ-222W	MG RESISTOR 2.2kΩ,1/16W
R1704		NRSA6AJ-222W	MG RESISTOR 2.2kΩ,1/16W
R1705		NRSA6AJ-222W	MG RESISTOR 2.2kΩ,1/16W
R1706		NRSA6AJ-823W	MG RESISTOR 82kΩ,1/16W
R1707		NRSA6AJ-103W	MG RESISTOR 10kΩ,1/16W
R1708		NRSA6AJ-124W	MG RESISTOR 120kΩ,1/16W
R1709		NRSA6AJ-103W	MG RESISTOR 10kΩ,1/16W
R1710		NRSA6AJ-124W	MG RESISTOR 120kΩ,1/16W
R1711		NRSA6AJ-102W	MG RESISTOR 1kΩ,1/16W
R1712		NRSA6AJ-102W	MG RESISTOR 1kΩ,1/16W
R1714		NRSA6AJ-0ROW	MG RESISTOR 0Ω,1/16W
R1715		NRSA6AJ-0ROW	MG RESISTOR 0Ω,1/16W
R3501		NRSA6AJ-471W	MG RESISTOR 470Ω,1/16W
R3502		NRSA6AJ-104W	MG RESISTOR 100kΩ,1/16W
R3503		NRSA6AJ-102W	MG RESISTOR 1kΩ,1/16W
R3504		NRVA6AD-241W	CMF RESISTOR 240Ω,1/16W
R3505		NRVA6AD-241W	CMF RESISTOR 240Ω,1/16W
R3506		NRVA6AD-241W	CMF RESISTOR 240Ω,1/16W
R3507		NRVA6AD-241W	CMF RESISTOR 240Ω,1/16W
R3508		NRSA6AJ-223W	MG RESISTOR 22kΩ,1/16W
R3510		NRSA6AJ-0ROW	MG RESISTOR 0Ω,1/16W
R3513		NRSA6AJ-393W	MG RESISTOR 39kΩ,1/16W
R3514		NRSA6AJ-682W	MG RESISTOR 6.8kΩ,1/16W
R3515		NRSA6AJ-0ROW	MG RESISTOR 0Ω,1/16W
R3517		NRSA6AJ-0ROW	MG RESISTOR 0Ω,1/16W
R3518		NRSA6AJ-100W	MG RESISTOR, A,B 10Ω,1/16W
		NRSA6AJ-560W	MG RESISTOR, C,D 56Ω,1/16W
C1601		NCBA1CK-103W	CAPACITOR 0.01μF,16V
C1602		NBE90JM-106X	T CAPACITOR 10μF,6.3V
C1603		NBE21AM-106X	T CAPACITOR 10μF,10V
C1605		NCBA1AK-104W	CAPACITOR 0.1μF,10V
C1606		NCBA1HK-152W	CAPACITOR 0.0015μF,50V
C1607		NCBA1AK-473W	CAPACITOR 0.047μF,10V
C1614		NBE21AM-106X	T CAPACITOR 10μF,10V
C1618		NCBA1HK-222W	CAPACITOR 0.0022μF,50V
C1619		NCBA1HK-222W	CAPACITOR 0.0022μF,50V
C1620		NCBA1HK-222W	CAPACITOR 0.0022μF,50V
C1621		NCB21AK-105X	CAPACITOR 1μF,10V
C1622		NCBA1CK-223W	CAPACITOR 0.022μF,16V
C1623		NCBA1AK-473W	CAPACITOR 0.047μF,10V
C1624		NCB31EK-103X	CAPACITOR 0.01μF,25V
C1625		NCBA1AK-473W	CAPACITOR 0.047μF,10V
C1626		NCBA1HK-331W	CAPACITOR 330pF,50V
C1627		NCBA1CK-822W	CAPACITOR 0.0082μF,16V
C1628		NCB21CK-224X	CAPACITOR 0.22μF,16V
C1632		NBE21AM-106X	T CAPACITOR 10μF,10V
C1633		NCF21CZ-684X	CAPACITOR 0.68μF,16V
C1635		NCBA1AK-104W	CAPACITOR 0.1μF,10V
C1641		NCB31AK-474X	CAPACITOR 0.47μF,10V
C1701		NCBA1AK-104W	CAPACITOR 0.1μF,10V
C1702		NCBA1AK-104W	CAPACITOR 0.1μF,10V
C3501		NCBA1CK-223W	CAPACITOR 0.022μF,16V
C3502		NCBA1AK-473W	CAPACITOR 0.047μF,10V
C3503		NCBA1AK-104W	CAPACITOR 0.1μF,10V
C3504		NBE20JM-106X	T CAPACITOR 10μF,6.3V
C3505		NCBA1AK-104W	CAPACITOR 0.1μF,10V
C3506		NCBA1AK-104W	CAPACITOR 0.1μF,10V
C3507		NCBA1AK-104W	CAPACITOR 0.1μF,10V
C3508		NBE20JM-106X	T CAPACITOR 10μF,6.3V
C3509		NCBA1AK-104W	CAPACITOR 0.1μF,10V

PRE/MDA BOARD ASSEMBLY <03>

PW	YB10303A-02	PRE/MDA BOARD ASSY, A	
	YB10303A-03	PRE/MDA BOARD ASSY, B,C,D	
IC1601	BD6630KV	IC	
IC1701	TA75W01FU	IC	
IC1702	TA75W393FU	IC	
IC3501	JCY0132	IC	
IC3502	SN74AHC1G04K	IC	
Q1601	UMC3N	TRANSISTOR	
D1602	DAP222	DIODE	
D1603	DAP222	DIODE	
D1604	DAP222	DIODE	
R1601	NRSA6AJ-681W	MG RESISTOR	680Ω,1/16W
R1602	NRSA6AJ-124W	MG RESISTOR	120kΩ,1/16W
R1603	NRSA6AJ-472W	MG RESISTOR	4.7kΩ,1/16W
R1604	NRSA6AJ-104W	MG RESISTOR	100kΩ,1/16W
R1605	NRV142F-R22X	CMF RESISTOR	0.22Ω,1/4W
R1606	NRSA6AJ-103W	MG RESISTOR	10kΩ,1/16W
R1609	NRV142F-R33X	CMF RESISTOR	0.33Ω,1/4W
R1610	NRSA6AJ-471W	MG RESISTOR	470Ω,1/16W
R1611	NRSA6AJ-471W	MG RESISTOR	470Ω,1/16W
R1612	NRSA6AJ-104W	MG RESISTOR	100kΩ,1/16W
R1613	NRSA6AJ-102W	MG RESISTOR	1kΩ,1/16W
R1614	NRSA6AJ-682W	MG RESISTOR	6.8kΩ,1/16W
R1615	NRSA6AJ-103W	MG RESISTOR	10kΩ,1/16W
R1616	NRSA6AJ-681W	MG RESISTOR	680Ω,1/16W
R1617	NRSA6AJ-224W	MG RESISTOR	220kΩ,1/16W
R1618	NRSA6AJ-154W	MG RESISTOR	150kΩ,1/16W
R1619	NRSA6AJ-223W	MG RESISTOR	22kΩ,1/16W
R1620	NRSA6AJ-103W	MG RESISTOR	10kΩ,1/16W
R1621	NRSA6AJ-103W	MG RESISTOR	10kΩ,1/16W
R1622	NRSA6AJ-103W	MG RESISTOR	10kΩ,1/16W
R1624	NRVA6AD-123W	CMF RESISTOR	12kΩ,1/16W
R1625	NRSA6AJ-0ROW	MG RESISTOR	0Ω,1/16W
R1626	NRSA6AJ-0ROW	MG RESISTOR	0Ω,1/16W
R1627	NRSA6AJ-0ROW	MG RESISTOR	0Ω,1/16W
R1628	NRVA6AD-361W	CMF RESISTOR	360Ω,1/16W
R1629	NRSA6AJ-564W	MG RESISTOR	560kΩ,1/16W
R1630	NRSA6AJ-0ROW	MG RESISTOR	0Ω,1/16W
R1631	NRSA6AJ-0ROW	MG RESISTOR	0Ω,1/16W
R1632	NRSA6AJ-0ROW	MG RESISTOR	0Ω,1/16W
R1633	NRSA6AJ-0ROW	MG RESISTOR	0Ω,1/16W
R1634	NRSA6AJ-0ROW	MG RESISTOR	0Ω,1/16W
R1635	NRSA6AJ-472W	MG RESISTOR	4.7kΩ,1/16W
R1636	NRSA6AJ-123W	MG RESISTOR	12kΩ,1/16W
R1637	NRSA6AJ-124W	MG RESISTOR	120kΩ,1/16W
R1642	NRSA6AJ-0ROW	MG RESISTOR	0Ω,1/16W

#	△ REF No.	PART No.	PART NAME, DESCRIPTION	#	△ REF No.	PART No.	PART NAME, DESCRIPTION	
C3510		NBE20JM-106X	T CAPACITOR	10μF,6.3V	Q2704	2SC5585	TRANSISTOR	
C3511		NCBA1AK-104W	CAPACITOR	0.1μF,10V	Q2901	2SB1121/TU/-X	TRANSISTOR	
C3512		NCBA1AK-104W	CAPACITOR	0.1μF,10V		or 2SB1121/ST/-X	TRANSISTOR	
C3513		NBE20JM-106X	T CAPACITOR	10μF,6.3V	Q2902	2SC4617/QR/-X	TRANSISTOR	
C3514		NCBA1CK-103W	CAPACITOR	0.01μF,16V	Q2903	DTC144EE	TRANSISTOR	
C3516		NCBA1AK-104W	CAPACITOR	0.1μF,10V		or PDC144EE	TRANSISTOR	
C3517		NDCA1EJ-221W	CAPACITOR	220pF,25V		or UN9213J	TRANSISTOR	
C3519		NCBA1AK-104W	CAPACITOR	0.1μF,10V		or RN1104	TRANSISTOR	
C3520		NBE20JM-106X	T CAPACITOR	10μF,6.3V	Q2904	DTC144EE	TRANSISTOR	
C3522		NCBA1AK-473W	CAPACITOR	0.047μF,10V		or PDC144EE	TRANSISTOR	
C3523		NCBA1AK-473W	CAPACITOR	0.047μF,10V		or UN9213J	TRANSISTOR	
C3524		NCBA1AK-473W	CAPACITOR	0.047μF,10V		or RN1104	TRANSISTOR	
C3525		NCBA1AK-104W	CAPACITOR	0.1μF,10V	Q2905	UMH6N	TRANSISTOR	
C3526		NCBA1AK-104W	CAPACITOR	0.1μF,10V	D2706	DAP222	DIODE	
C3527		NCBA1HK-102W	CAPACITOR	0.001μF,50V	D2901	EMZ6.8N	ZENER DIODE	
C3528		NCBA1AK-104W	CAPACITOR	0.1μF,10V	D2902	EMZ6.8N	ZENER DIODE	
C3529		NCBA1AK-104W	CAPACITOR	0.1μF,10V	D2903	EMZ6.8N	ZENER DIODE	
C3530		NBE90JM-475X	T CAPACITOR	4.7μF,6.3V	R1101	NRSA6AJ-333W	MG RESISTOR	33kΩ, 1/16W
C3531		NCBA1AK-104W	CAPACITOR	0.1μF,10V	R1102	NRSA6AJ-472W	MG RESISTOR	4.7kΩ, 1/16W
C3532		NCBA1AK-104W	CAPACITOR	0.1μF,10V	R1104	NRSA6AJ-105W	MG RESISTOR	1MΩ, 1/16W
C3533		NBE90JM-475X	T CAPACITOR	4.7μF,6.3V	R1106	NRSA6AJ-105W	MG RESISTOR	1MΩ, 1/16W
L1601		NQL315M-1R0X	COIL	1μH	R1107	NRSA6AJ-103W	MG RESISTOR	10kΩ, 1/16W
L3501		NQL302N-100X	COIL	10μH	R1108	NRSA6AJ-472W	MG RESISTOR	4.7kΩ, 1/16W
L3502		NQL302N-100X	COIL	10μH	R1109	NRSA6AJ-103W	MG RESISTOR	10kΩ, 1/16W
L3503		NQL302N-100X	COIL	10μH	R1110	NRSA63J-0R0X	MG RESISTOR	0Ω, 1/16W
L3504		NQR0305-001X	FERRITE BEAD		R1111	NRSA63J-0R0X	MG RESISTOR	0Ω, 1/16W
L3505		NQL302N-100X	COIL	10μH	R1112	NRSA63J-0R0X	MG RESISTOR	0Ω, 1/16W
CN401		QGB0404L1-80X	CONNECTOR		R1113	NRSA63J-0R0X	MG RESISTOR	0Ω, 1/16W
CN402		QGF0517F1-08X	FPC CONNECTOR		R1151	NRSA63J-302X	MG RESISTOR	3kΩ, 1/16W
CN403		QGF0517F2-06X	FPC CONNECTOR		R2201	NRSA6AJ-224W	MG RESISTOR	220kΩ, 1/16W
CN404		QGF0517F1-11X	FPC CONNECTOR		R2202	NRSA6AJ-183W	MG RESISTOR	18kΩ, 1/16W
CN405		QGF0517F1-18X	FPC CONNECTOR		R2203	NRSA6AJ-104W	MG RESISTOR	100kΩ, 1/16W
CN406		QGF0517F2-16X	FPC CONNECTOR		R2204	NRSA6AJ-0R0W	MG RESISTOR	0Ω, 1/16W
CN407		QGF0517F1-06X	FPC CONNECTOR		R2205	NRSA6AJ-332W	MG RESISTOR	3.3kΩ, 1/16W
SD1		LY32011-001A	SHIELD CASE(PR)		R2206	NRSA6AJ-102W	MG RESISTOR	1kΩ, 1/16W
OT1		LY30029-0J4A	SPACER(A),B,C,D		R2207	NRSA6AJ-472W	MG RESISTOR	4.7kΩ, 1/16W
OT2		LY30029-0J5A	SPACER(A),B,C,D		R2208	NRSA6AJ-820W	MG RESISTOR	82Ω, 1/16W
OT3		LY43138-001A	SHEET(MDA),B,C,D		R2209	NRSA6AJ-820W	MG RESISTOR	82Ω, 1/16W
					R2210	NRSA6AJ-820W	MG RESISTOR	82Ω, 1/16W
					R2211	NRSA6AJ-100W	MG RESISTOR	10Ω, 1/16W
					R2212	NRSA6AJ-0R0W	MG RESISTOR	0Ω, 1/16W
					R2213	NRSA6AJ-0R0W	MG RESISTOR	0Ω, 1/16W
					R2214	NRSA6AJ-0R0W	MG RESISTOR	0Ω, 1/16W
					R2215	NRSA6AJ-0R0W	MG RESISTOR	0Ω, 1/16W
					R2216	NRSA6AJ-2R7W	MG RESISTOR	2.7Ω, 1/16W
					R2217	NRSA6AJ-2R7W	MG RESISTOR	2.7Ω, 1/16W
					R2218	NRSA6AJ-0R0W	MG RESISTOR	0Ω, 1/16W
					R2219	NRSA6AJ-123W	MG RESISTOR	12kΩ, 1/16W
					R2220	NRSA6AJ-223W	MG RESISTOR	22kΩ, 1/16W
					R2601	NRSA6AJ-103W	MG RESISTOR	10kΩ, 1/16W
					R2602	NRSA6AJ-103W	MG RESISTOR	10kΩ, 1/16W
					R2603	NRSA6AJ-102W	MG RESISTOR	1kΩ, 1/16W
					R2604	NRSA6AJ-102W	MG RESISTOR	1kΩ, 1/16W
					R2605	NRSA6AJ-103W	MG RESISTOR	10kΩ, 1/16W
					R2606	NRSA6AJ-103W	MG RESISTOR	10kΩ, 1/16W
					R2607	NRSA6AJ-102W	MG RESISTOR	1kΩ, 1/16W
					R2608	NRSA6AJ-102W	MG RESISTOR	1kΩ, 1/16W
					R2609	NRSA6AJ-103W	MG RESISTOR	10kΩ, 1/16W
					R2610	NRSA6AJ-103W	MG RESISTOR	10kΩ, 1/16W
					R2611	NRSA6AJ-182W	MG RESISTOR	1.8kΩ, 1/16W
					R2612	NRSA6AJ-182W	MG RESISTOR	1.8kΩ, 1/16W
					R2613	NRSA6AJ-331W	MG RESISTOR	330Ω, 1/16W
					R2614	NRSA6AJ-331W	MG RESISTOR	330Ω, 1/16W

AUDIO BOARD ASSEMBLY <04>

PW1	YB10304A1-02	AUDIO BOARD ASSY	
IC1101	TA75W01FU	IC	
IC2201	AK4560AVQ	IC	
Q1151	RPM-22PB	PHOTO TRANSISTOR	
Q2201	2SC4617/QR/-X	TRANSISTOR	
Q2202	2SC4617/QR/-X	TRANSISTOR	
Q2203	2SD1626	TRANSISTOR	
Q2601	2SC4617/QR/-X	TRANSISTOR, A,B	
	2SC5585	TRANSISTOR, C,D	
Q2602	2SC4617/QR/-X	TRANSISTOR, A,B	
	2SC5585	TRANSISTOR, C,D	
Q2603	2SA1774/QR/-X	TRANSISTOR	
Q2604	2SA1774/QR/-X	TRANSISTOR	
Q2605	DTA124EE	TRANSISTOR	
	or RN2103	TRANSISTOR	
	or UN9112J	TRANSISTOR	
Q2701	2SC4617/QR/-X	TRANSISTOR	
Q2702	2SC4617/QR/-X	TRANSISTOR	
Q2703	2SC5585	TRANSISTOR	

#	△ REF No.	PART No.	PART NAME, DESCRIPTION	#	△ REF No.	PART No.	PART NAME, DESCRIPTION	
R2615		NRSA6AJ-682W	MG RESISTOR	6.8kΩ,1/16W	C1114	NCBA1CK-103W	CAPACITOR	0.01μF,16V
R2616		NRSA6AJ-682W	MG RESISTOR	6.8kΩ,1/16W	C1151	NBE20JM-106X	T CAPACITOR	10μF,6.3V
R2617		NRSA6AJ-682W	MG RESISTOR	6.8kΩ,1/16W	C2201	NCB21AK-105X	CAPACITOR	1μF,10V
R2618		NRSA6AJ-682W	MG RESISTOR	6.8kΩ,1/16W	C2202	NCB21AK-105X	CAPACITOR	1μF,10V
R2619		NRSA6AJ-222W	MG RESISTOR	2.2kΩ,1/16W	C2203	NBE80JM-106X	T CAPACITOR	10μF,6.3V
R2620		NRSA6AJ-222W	MG RESISTOR	2.2kΩ,1/16W	C2204	NCB30JK-105X	CAPACITOR	1μF,6.3V
R2623		NRSA6AJ-223W	MG RESISTOR	22kΩ,1/16W	C2205	NCB30JK-105X	CAPACITOR	1μF,6.3V
R2624		NRSA6AJ-223W	MG RESISTOR	22kΩ,1/16W	C2206	NCBA1AK-104W	CAPACITOR	0.1μF,10V
R2625		NRSA6AJ-103W	MG RESISTOR	10kΩ,1/16W	C2207	NCBA1AK-104W	CAPACITOR	0.1μF,10V
R2626		NRSA6AJ-103W	MG RESISTOR	10kΩ,1/16W	C2208	NCBA1AK-333W	CAPACITOR	0.033μF,10V
R2627		NRSA6AJ-332W	MG RESISTOR	3.3kΩ,1/16W	C2209	NCBA1CK-153W	CAPACITOR	0.015μF,16V
R2628		NRSA6AJ-332W	MG RESISTOR	3.3kΩ,1/16W	C2210	NBE20JM-106X	T CAPACITOR	10μF,6.3V
R2629		NRSA6AJ-392W	MG RESISTOR	3.9kΩ,1/16W	C2211	NCB21AK-105X	CAPACITOR	1μF,10V
R2630		NRSA6AJ-392W	MG RESISTOR	3.9kΩ,1/16W	C2212	NBE20JM-106X	T CAPACITOR	10μF,6.3V
R2631		NRSA6AJ-472W	MG RESISTOR	4.7kΩ,1/16W	C2213	NBE20JM-106X	T CAPACITOR	10μF,6.3V
R2632		NRSA6AJ-472W	MG RESISTOR	4.7kΩ,1/16W	C2220	NCBA1AK-104W	CAPACITOR	0.1μF,10V
R2633		NRSA6AJ-222W	MG RESISTOR	2.2kΩ,1/16W	C2221	NCBA1AK-104W	CAPACITOR	0.1μF,10V
R2634		NRSA6AJ-222W	MG RESISTOR	2.2kΩ,1/16W	C2230	NCBA1CK-103W	CAPACITOR	0.01μF,16V
R2635		NRSA6AJ-153W	MG RESISTOR	15kΩ,1/16W	C2231	NCBA1CK-103W	CAPACITOR	0.01μF,16V
R2636		NRSA6AJ-153W	MG RESISTOR	15kΩ,1/16W	C2232	NCBA1CK-103W	CAPACITOR	0.01μF,16V
R2637		NRSA6AJ-104W	MG RESISTOR	100kΩ,1/16W	C2233	NCBA1CK-103W	CAPACITOR	0.01μF,16V
R2638		NRSA6AJ-104W	MG RESISTOR	100kΩ,1/16W	C2234	NCBA1CK-103W	CAPACITOR	0.01μF,16V
R2639		NRSA6AJ-473W	MG RESISTOR	47kΩ,1/16W	C2235	NCBA1CK-103W	CAPACITOR	0.01μF,16V
R2640		NRSA6AJ-473W	MG RESISTOR	47kΩ,1/16W	C2601	NCBA1HK-102W	CAPACITOR	0.001μF,50V
R2641		NRSA6AJ-104W	MG RESISTOR	100kΩ,1/16W	C2602	NCBA1HK-102W	CAPACITOR	0.001μF,50V
R2643		NRSA6AJ-0R0W	MG RESISTOR	0Ω,1/16W	C2607	NCBA1HK-102W	CAPACITOR	0.001μF,50V
R2645		NRSA6AJ-0R0W	MG RESISTOR	0Ω,1/16W	C2608	NCBA1HK-102W	CAPACITOR	0.001μF,50V
R2646		NRSA6AJ-0R0W	MG RESISTOR	0Ω,1/16W	C2611	NCBA1AK-104W	CAPACITOR	0.1μF,10V
R2649		NRSA6AJ-0R0W	MG RESISTOR	0Ω,1/16W	C2612	NCBA1AK-104W	CAPACITOR	0.1μF,10V
R2650		NRSA63J-0R0X	MG RESISTOR	0Ω,1/16W	C2615	NCBA1CK-103W	CAPACITOR	0.01μF,16V
R2651		NRSA63J-0R0X	MG RESISTOR	0Ω,1/16W	C2616	NCBA1CK-103W	CAPACITOR	0.01μF,16V
R2652		NRSA63J-0R0X	MG RESISTOR	0Ω,1/16W	C2617	NCBA1AK-473W	CAPACITOR	0.047μF,10V
R2701		NRSA6AJ-102W	MG RESISTOR	1kΩ,1/16W	C2618	NCBA1AK-473W	CAPACITOR	0.047μF,10V
R2702		NRSA6AJ-102W	MG RESISTOR	1kΩ,1/16W	C2619	NCBA1HK-102W	CAPACITOR	0.001μF,50V
R2705		NRSA6AJ-223W	MG RESISTOR	22kΩ,1/16W	C2620	NCBA1HK-102W	CAPACITOR	0.001μF,50V
R2706		NRSA6AJ-223W	MG RESISTOR	22kΩ,1/16W	C2621	NCBA1AK-473W	CAPACITOR	0.047μF,10V
R2707		NRSA6AJ-273W	MG RESISTOR	27kΩ,1/16W	C2622	NCBA1AK-473W	CAPACITOR	0.047μF,10V
R2708		NRSA6AJ-273W	MG RESISTOR	27kΩ,1/16W	C2625	NBP21DM-475X	T CAPACITOR	4.7μF,20V
R2709		NRSA6AJ-151W	MG RESISTOR	150Ω,1/16W	C2626	NBP21DM-475X	T CAPACITOR	4.7μF,20V
R2710		NRSA6AJ-151W	MG RESISTOR	150Ω,1/16W	C2627	NCBA1AK-473W	CAPACITOR	0.047μF,10V
R2713		NRSA6AJ-682W	MG RESISTOR	6.8kΩ,1/16W	C2628	NCBA1AK-473W	CAPACITOR	0.047μF,10V
R2714		NRSA6AJ-682W	MG RESISTOR	6.8kΩ,1/16W	C2629	NCBA1CK-223W	CAPACITOR	0.022μF,16V
R2901		NRSA6AJ-0R0W	MG RESISTOR	0Ω,1/16W	C2630	NCBA1CK-223W	CAPACITOR	0.022μF,16V
R2903		NRSA6AJ-103W	MG RESISTOR	10kΩ,1/16W	C2631	NCBA1AK-104W	CAPACITOR	0.1μF,10V
R2905		NRSA6AJ-102W	MG RESISTOR	1kΩ,1/16W	C2632	NCBA1AK-104W	CAPACITOR	0.1μF,10V
R2906		NRSA6AJ-103W	MG RESISTOR	10kΩ,1/16W	C2633	NCBA1HK-182W	CAPACITOR	0.0018μF,50V
R2907		NRSA6AJ-473W	MG RESISTOR	47kΩ,1/16W	C2634	NCBA1HK-182W	CAPACITOR	0.0018μF,50V
R2908		NRSA6AJ-473W	MG RESISTOR	47kΩ,1/16W	C2635	NCB30JK-105X	CAPACITOR	1μF,6.3V
R2909		NRSA6AJ-472W	MG RESISTOR	4.7kΩ,1/16W	C2636	NCB30JK-105X	CAPACITOR	1μF,6.3V
R2910		NRSA6AJ-391W	MG RESISTOR	390Ω,1/16W	C2637	NCBA1CK-223W	CAPACITOR	0.022μF,16V
R2911		NRSA6AJ-104W	MG RESISTOR	100kΩ,1/16W	C2638	NCBA1CK-223W	CAPACITOR	0.022μF,16V
R2912		NRSA6AJ-153W	MG RESISTOR	15kΩ,1/16W	C2639	NCBA1EK-472W	CAPACITOR	0.0047μF,25V
R2913		NRSA6AJ-183W	MG RESISTOR	18kΩ,1/16W	C2640	NCBA1EK-472W	CAPACITOR	0.0047μF,25V
R2917		NRSA6AJ-153W	MG RESISTOR	15kΩ,1/16W	C2641	NCBA1EK-472W	CAPACITOR	0.0047μF,25V
R2918		NRSA6AJ-153W	MG RESISTOR	15kΩ,1/16W	C2642	NCBA1EK-472W	CAPACITOR	0.0047μF,25V
R2919		NRSA6AJ-105W	MG RESISTOR	1MΩ,1/16W	C2643	NCB30JK-105X	CAPACITOR	1μF,6.3V
R2920		NRSA6AJ-105W	MG RESISTOR	1MΩ,1/16W	C2644	NCB30JK-105X	CAPACITOR	1μF,6.3V
C1101		NCBA1AK-104W	CAPACITOR	0.1μF,10V	C2646	NCB21AK-105X	CAPACITOR	1μF,10V
C1102		NCBA1CK-223W	CAPACITOR	0.022μF,16V	C2647	NBE20JM-106X	T CAPACITOR	10μF,6.3V
C1103		NCBA1CK-223W	CAPACITOR	0.022μF,16V	C2701	NCB21AK-105X	CAPACITOR	1μF,10V
C1111		NCB30JK-105X	CAPACITOR	1μF,6.3V	C2702	NCB21AK-105X	CAPACITOR	1μF,10V
C1112		NBE20JM-106X	T CAPACITOR	10μF,6.3V	C2703	NRSA02J-0R0X	MG RESISTOR	0Ω,1/10W
C1113		NBE20JM-106X	T CAPACITOR	10μF,6.3V	C2704	NRSA02J-0R0X	MG RESISTOR	0Ω,1/10W

#	△ REF No.	PART No.	PART NAME, DESCRIPTION	#	△ REF No.	PART No.	PART NAME, DESCRIPTION
C2707		NCBA1AK-104W	CAPACITOR 0.1μF,10V	Q6113		HN1A01FU/G/-X	PAIR TRANSISTOR
C2708		NCBA1AK-104W	CAPACITOR 0.1μF,10V			or PUMT1	PAIR TRANSISTOR
C2709		NBE20GM-226X	T CAPACITOR 22μF,4.0V	Q6114		2SC4617/QR/-X	TRANSISTOR
C2710		NBE20GM-226X	T CAPACITOR 22μF,4.0V			or 2SC4738/YG/-X	TRANSISTOR
C2901		NCBA1CK-103W	CAPACITOR 0.01μF,16V	D6101		EP10LA03	SB DIODE
C2904		NCBA1CK-103W	CAPACITOR 0.01μF,16V	D6102		EP10LA03	SB DIODE
C2907		NCB30JK-105X	CAPACITOR 1μF,6.3V	D6103		EP10LA03	SB DIODE
L1101		NQL402M-100X	COIL 10μH	D6104		EP10LA03	SB DIODE
L1151		NQR0265-001X	FERRITE BEAD	D6105		EP10LA03	SB DIODE
L2201		NQL315K-100X	COIL 10μH	D6106		1SS383	SB DIODE
L2202		NRSA63J-0R0X	MG RESISTOR 0Ω,1/16W	D6107		MA8091/L/-X	ZENER DIODE
L2203		NRSA63J-0R0X	MG RESISTOR 0Ω,1/16W	D6108		1SS383	SB DIODE
L2204		NRSA63J-0R0X	MG RESISTOR 0Ω,1/16W	R6101		NRSA6AJ-224W	MG RESISTOR 220kΩ,1/16W
L2205		NRSA63J-0R0X	MG RESISTOR 0Ω,1/16W	R6102		NRSA6AJ-184W	MG RESISTOR 180kΩ,1/16W
L2206		NRSA63J-0R0X	MG RESISTOR 0Ω,1/16W	R6104		NRVA6AD-472W	CMF RESISTOR 4.7kΩ,1/16W
L2601		NQR0251-004X	FERRITE BEAD	R6105		NRVA6AD-113W	CMF RESISTOR 11kΩ,1/16W
L2602		NQR0251-004X	FERRITE BEAD	R6106		NRSA6AJ-223W	MG RESISTOR 22kΩ,1/16W
L2603		NQR0251-004X	FERRITE BEAD	R6107		NRSA6AJ-223W	MG RESISTOR 22kΩ,1/16W
L2604		NRSA63J-0R0X	MG RESISTOR 0Ω,1/16W	R6108		NRSA6AJ-104W	MG RESISTOR 100kΩ,1/16W
L2605		NRSA63J-0R0X	MG RESISTOR 0Ω,1/16W	R6109		NRSA63J-0R0X	MG RESISTOR 0Ω,1/16W
L2606		NRSA63J-0R0X	MG RESISTOR 0Ω,1/16W	R6110		NRSA63J-0R0X	MG RESISTOR 0Ω,1/16W
L2607		NRSA63J-0R0X	MG RESISTOR 0Ω,1/16W	R6111		NRSA6AJ-4R7W	MG RESISTOR 4.7Ω,1/16W
L2901		NRSA63J-0R0X	MG RESISTOR 0Ω,1/16W	R6113		NRVA6AD-223W	CMF RESISTOR 22kΩ,1/16W
L2902		NRSA63J-0R0X	MG RESISTOR 0Ω,1/16W	R6114		NRVA6AD-113W	CMF RESISTOR 11kΩ,1/16W
L2903		NRSA63J-0R0X	MG RESISTOR 0Ω,1/16W	R6116		NRSA6AJ-4R7W	MG RESISTOR 4.7Ω,1/16W
L2904		NRSA63J-0R0X	MG RESISTOR 0Ω,1/16W	R6118		NRVA6AD-333W	CMF RESISTOR 33kΩ,1/16W
L2905		NRSA63J-0R0X	MG RESISTOR 0Ω,1/16W	R6119		NRVA6AD-473W	CMF RESISTOR 47kΩ,1/16W
L2906		NRSA63J-0R0X	MG RESISTOR 0Ω,1/16W	R6120		NRSA6AJ-473W	MG RESISTOR 47kΩ,1/16W
L2907		NRSA63J-0R0X	MG RESISTOR 0Ω,1/16W	R6121		NRSA6AJ-4R7W	MG RESISTOR 4.7Ω,1/16W
L2908		NRSA63J-0R0X	MG RESISTOR 0Ω,1/16W	R6122		NRVA6AD-243W	CMF RESISTOR 24kΩ,1/16W
L2909		NRSA63J-0R0X	MG RESISTOR 0Ω,1/16W	R6123		NRVA6AD-302W	CMF RESISTOR 30kΩ,1/16W
L2910		NRSA63J-0R0X	MG RESISTOR 0Ω,1/16W	R6124		NRVA6AD-104W	CMF RESISTOR 100kΩ,1/16W
L2911		NRSA63J-0R0X	MG RESISTOR 0Ω,1/16W	R6125		NRVA6AD-123W	CMF RESISTOR 12kΩ,1/16W
J201		QNS0168-001	3.5 JACK,EXT MIC	R6126		NRVA6AD-103W	CMF RESISTOR 10kΩ,1/16W
CN201		QGB0402K1-80X	CONNECTOR	R6127		NRSA6AJ-4R7W	MG RESISTOR 4.7Ω,1/16W
CN202		QGF0517F1-16X	FPC CONNECTOR	R6128		NRVA6AD-473W	CMF RESISTOR 47kΩ,1/16W
CN203		QGF0505F2-08X	FPC CONNECTOR	R6129		NRVA6AD-562W	CMF RESISTOR 5.6kΩ,1/16W
CN204		QGA1002F1-03X	CONNECTOR	R6130		NRSA6AJ-0R0W	MG RESISTOR 0Ω,1/16W
CN205		QGF0517F1-10X	FPC CONNECTOR	R6131		NRVA6AD-223W	CMF RESISTOR 22kΩ,1/16W
				R6132		NRVA6AD-473W	CMF RESISTOR 47kΩ,1/16W
				R6133		NRSA6AJ-4R7W	MG RESISTOR 4.7Ω,1/16W
				R6134		NRVA6AD-273W	CMF RESISTOR 27kΩ,1/16W
				R6135		NRVA6AD-472W	CMF RESISTOR 4.7kΩ,1/16W
				R6136		NRVA6AD-473W	CMF RESISTOR 47kΩ,1/16W
				R6137		NRSA6AJ-473W	MG RESISTOR 47kΩ,1/16W
				R6138		NRSA6AJ-4R7W	MG RESISTOR 4.7Ω,1/16W
				R6139		NRVA6AD-272W	CMF RESISTOR 2.7kΩ,1/16W
				R6140		NRVA6AD-623W	CMF RESISTOR 62kΩ,1/16W
				R6141		NRVA6AD-392W	CMF RESISTOR 3.9kΩ,1/16W
				R6142		NRSA6AJ-105W	MG RESISTOR 1MΩ,1/16W
				R6143		NRSA6AJ-473W	MG RESISTOR 47kΩ,1/16W
				R6144		NRSA6AJ-273W	MG RESISTOR 27kΩ,1/16W
				R6145		NRSA6AJ-822W	MG RESISTOR 8.2kΩ,1/16W
				R6146		NRVA6AD-513W	CMF RESISTOR 51kΩ,1/16W
				R6147		NRSA6AD-823W	MG RESISTOR 82kΩ,1/16W
				R6148		NRVA6AD-473W	CMF RESISTOR 47kΩ,1/16W
				R6149		NRSA6AJ-222W	MG RESISTOR 2.2kΩ,1/16W
				R6151		NRSA6AJ-104W	MG RESISTOR 100kΩ,1/16W
				R6152		NRSA6AJ-823W	MG RESISTOR 82kΩ,1/16W
				R6153		NRVA6AD-623W	CMF RESISTOR 62kΩ,1/16W
				R6155		NRVA6AD-683W	CMF RESISTOR 68kΩ,1/16W
				R6156		NRSA6AJ-333W	MG RESISTOR 33kΩ,1/16W
				R6157		NRSA6AJ-333W	MG RESISTOR 33kΩ,1/16W

REG BOARD ASSEMBLY <05>

PW2	YB10304A2-02	REG BOARD ASSY
IC6101	FA3676F	IC
Q6101	NDS352AP	MOS FET
Q6103	NDS352AP	MOS FET
Q6105	NDS352AP	MOS FET
Q6106	NDS352AP	MOS FET
Q6107	NDS352AP	MOS FET
Q6108	NDS352AP	MOS FET
Q6109	HN1C01FU/G/-X	PAIR TRANSISTOR
	or PUMX1	PAIR TRANSISTOR
Q6110	2SA1577/QR/-X	TRANSISTOR
Q6111	2SC4617/QR/-X	TRANSISTOR
	or 2SC4738/YG/-X	TRANSISTOR
Q6112	DTC144EE	TRANSISTOR
	or PDC144EE	TRANSISTOR
	or UN9213J	TRANSISTOR
	or RN1104	TRANSISTOR

#	△ REF No.	PART No.	PART NAME, DESCRIPTION	
R6158		NRSA6AJ-102W	MG RESISTOR	1kΩ,1/16W
R6159		NRSA6AJ-0R0W	MG RESISTOR	0Ω,1/16W
R6160		NRSA63J-0R0X	MG RESISTOR	0Ω,1/16W
C6101		NCB21CK-105X	CAPACITOR	1μF,16V
C6102		NCB21CK-105X	CAPACITOR	1μF,16V
C6103		NBPE1CM-106X	T CAPACITOR	10μF,16V
C6104		NCBA1AK-104W	CAPACITOR	0.1μF,10V
C6105		NCF31AZ-105X	CAPACITOR	1μF,10V
C6106		NCBA1CK-103W	CAPACITOR	0.01μF,16V
C6107		NCB21CK-105X	CAPACITOR	1μF,16V
C6108		NCF31AZ-105X	CAPACITOR	1μF,10V
C6109		NCBA1EK-472W	CAPACITOR	0.0047μF,25V
C6110		NCBA1CK-223W	CAPACITOR	0.022μF,16V
C6111		NCBA1AK-104W	CAPACITOR	0.1μF,10V
C6112		NCBA1HK-272W	CAPACITOR	0.0027μF,50V
C6113		NCBA1AK-104W	CAPACITOR	0.1μF,10V
C6114		NCBA1HK-561W	CAPACITOR	560pF,50V
C6115		NCBA1HK-561W	CAPACITOR	560pF,50V
C6117		NCBA1CK-103W	CAPACITOR	0.01μF,16V
C6118		NDCA1HJ-101W	CAPACITOR	100pF,50V
C6119		NBE20JM-106X	T CAPACITOR	10μF,6.3V
C6120		NCF31AZ-105X	CAPACITOR	1μF,10V
C6121		NCB21CK-105X	CAPACITOR	1μF,16V
C6122		NCB10JK-106X	CAPACITOR	10μF,6.3V
C6123		NCBA1HK-102W	CAPACITOR	0.001μF,50V
C6127		NCB21CK-105X	CAPACITOR	1μF,16V
C6128		NCB10JK-106X	CAPACITOR	10μF,6.3V
C6129		NCBA1EK-472W	CAPACITOR	0.0047μF,25V
C6130		NCB21CK-105X	CAPACITOR	1μF,16V
C6131		NCB21CK-105X	CAPACITOR	1μF,16V
C6133		NCB31CK-683X	CAPACITOR	0.068μF,16V
C6134		NCB21CK-105X	CAPACITOR	1μF,16V
C6135		NCB21CK-105X	CAPACITOR	1μF,16V
C6137		NCB31AK-224X	CAPACITOR	0.22μF,10V
C6138		NCB21CK-105X	CAPACITOR	1μF,16V
C6139		NCB10JK-106X	CAPACITOR	10μF,6.3V
C6140		NCBA1HK-102W	CAPACITOR	0.001μF,50V
C6141		NCB21CK-105X	CAPACITOR	1μF,16V
C6142		NCB21CK-105X	CAPACITOR	1μF,16V
C6143		NCB21CK-105X	CAPACITOR	1μF,16V
C6144		NCB11EK-105X	CAPACITOR	1μF,25V
C6145		NCBA1HK-102W	CAPACITOR	0.001μF,50V
C6146		NCBA1CK-103W	CAPACITOR	0.01μF,16V
C6147		NCB21CK-105X	CAPACITOR	1μF,16V
C6148		NCB21CK-105X	CAPACITOR	1μF,16V
C6149		NCB21CK-105X	CAPACITOR	1μF,16V
C6150		NCB11EK-105X	CAPACITOR	1μF,25V
C6151		NCB21CK-105X	CAPACITOR	1μF,16V
C6152		NCB21CK-105X	CAPACITOR	1μF,16V
L6101		NQLZ011-4R7X	COIL	4.7μH
L6102		NQLZ011-4R7X	COIL	4.7μH
L6103		NQLZ007-390X	COIL	39μH
L6107		NQLZ011-390X	COIL	39μH
L6108		NQLZ011-470X	COIL	47μH
L6109		NQLZ011-470X	COIL	47μH
L6110		NQLZ011-390X	COIL	39μH
L6111		NQL144K-220X	COIL	22μH
L6112		NQLZ011-221X	COIL	220μH
CN601		QGB0507M1-80X	CONNECTOR	
CN602		QGF0505F2-12X	FPC CONNECTOR	
△ F6101		NMFZ007-2R0X-K	FUSE	T2.0A
△ F6102		NMFZ007-2R0X-K	FUSE	T2.0A
△ F6103		NMFZ007-R50X-K	FUSE	T0.5A

#	△ REF No.	PART No.	PART NAME, DESCRIPTION	

MONITOR BOARD ASSEMBLY <06>				
		PW	YB10306C-01	MONITOR BOARD ASSY
IC7301		CXA3268AR-B	IC	
IC7302		AT25040N-10SC-X	IC	
		or 25LC040-I/SN-X	IC	
IC7401		CXA3503R-B	IC	
IC7501		TL1451CPW	IC	
IC7502		TC7SH04FU	IC(DIGITAL)	
		or SN74AHC1G04K	IC	
Q7301		2SA1774/QR/-X	TRANSISTOR	
Q7302		2SA1577/QR/-X	TRANSISTOR	
Q7303		DTC144EE	TRANSISTOR	
		or UN9213J	TRANSISTOR	
		or RN1104	TRANSISTOR	
Q7304		2SC4617/QR/-X	TRANSISTOR	
		or 2SC4738/YG/-X	TRANSISTOR	
Q7305		2SA1774/QR/-X	TRANSISTOR	
		or 2SA1832/YG/-X	TRANSISTOR	
Q7306		2SC4617/QR/-X	TRANSISTOR	
		or 2SC4738/YG/-X	TRANSISTOR	
Q7307		2SA1774/QR/-X	TRANSISTOR	
		or 2SA1832/YG/-X	TRANSISTOR	
Q7401		2SA1774/QR/-X	TRANSISTOR	
		or 2SA1832/YG/-X	TRANSISTOR	
Q7501		UMD3N	TRANSISTOR	
Q7502		SSM3K01F	MOS FET	
Q7503		2SC4617/QR/-X	TRANSISTOR	
Q7504		XP6401	TRANSISTOR	
D7301		MA365	VARI CAP DIODE	
D7302		UDZ2.7B	ZENER DIODE	
D7303		UDZ4.3B	ZENER DIODE	
D7401		MA365	VARI CAP DIODE	
D7501		MA142WK	DIODE	
R7301		NRSA63J-271X	MG RESISTOR	270Ω,1/16W
R7302		NRSA63J-102X	MG RESISTOR	1kΩ,1/16W
R7303		NRVA63D-333X	CMF RESISTOR	33kΩ,1/16W
R7304		NRVA63D-153X	CMF RESISTOR	15kΩ,1/16W
R7305		NRSA63J-100X	MG RESISTOR	10Ω,1/16W
R7306		NRSA63J-100X	MG RESISTOR	10Ω,1/16W
R7307		NRSA63J-100X	MG RESISTOR	10Ω,1/16W
R7314		NRSA63J-0R0X	MG RESISTOR	0Ω,1/16W
R7315		NRSA63J-0R0X	MG RESISTOR	0Ω,1/16W
R7316		NRSA63J-472X	MG RESISTOR	4.7kΩ,1/16W
R7320		NRSA63J-473X	MG RESISTOR	47kΩ,1/16W
R7321		NVP0016-473X	TRIM RESISTOR,PLL(MONI)	
R7322		NRSA63J-0R0X	MG RESISTOR	0Ω,1/16W
R7323		NRSA63J-333X	MG RESISTOR	33kΩ,1/16W
R7324		NRSA63J-103X	MG RESISTOR	10kΩ,1/16W
R7325		NRSA63J-102X	MG RESISTOR	10kΩ,1/16W
R7326		NRSA63J-103X	MG RESISTOR	10kΩ,1/16W
R7330		NRSA63J-103X	MG RESISTOR	10kΩ,1/16W
R7331		NRSA63J-472X	MG RESISTOR	4.7kΩ,1/16W
R7332		NRSA63J-100X	MG RESISTOR	10Ω,1/16W
R7333		NRSA63J-223X	MG RESISTOR	22kΩ,1/16W
R7334		NRSA63J-223X	MG RESISTOR	22kΩ,1/16W
R7335		NRSA63J-103X	MG RESISTOR	10kΩ,1/16W
R7336		NRSA63J-473X	MG RESISTOR	47kΩ,1/16W
R7401		NRSA63J-271X	MG RESISTOR	270Ω,1/16W
R7402		NRSA63J-102X	MG RESISTOR	1kΩ,1/16W
R7403		NRVA63D-333X	CMF RESISTOR	33kΩ,1/16W

#	△ REF No.	PART No.	PART NAME, DESCRIPTION
		or UN9213J	TRANSISTOR
		or RN1104	TRANSISTOR
Q2821		2SC4617/QR/-X	TRANSISTOR
D2821		EMZ6.8N	ZENER DIODE
D2822		EMZ6.8N	ZENER DIODE
D2823		EMZ6.8N	ZENER DIODE
D2825		RB715F	SB DIODE
R2801		NRSA63J-0R0X	MG RESISTOR 0Ω,1/16W
R2802		NRSA63J-0R0X	MG RESISTOR 0Ω,1/16W
R2803		NRSA63J-0R0X	MG RESISTOR 0Ω,1/16W
R2804		NRSA63J-0R0X	MG RESISTOR 0Ω,1/16W
R2805		NRSA63J-0R0X	MG RESISTOR 0Ω,1/16W
R2806		NRSA63J-0R0X	MG RESISTOR 0Ω,1/16W
R2807		NRSA63J-0R0X	MG RESISTOR 0Ω,1/16W
R2808		NRSA63J-0R0X	MG RESISTOR 0Ω,1/16W
R2809		NRSA63J-473X	MG RESISTOR 47kΩ,1/16W
R2810		NRSA63J-103X	MG RESISTOR 10kΩ,1/16W
R2812		NRSA63J-103X	MG RESISTOR 10kΩ,1/16W
R2813		NRSA63J-473X	MG RESISTOR 47kΩ,1/16W
R2814		NRSA63J-104X	MG RESISTOR 100kΩ,1/16W
R2816		NRSA63J-0R0X	MG RESISTOR 0Ω,1/16W
R2818		NRSA63J-473X	MG RESISTOR 47kΩ,1/16W
R2821		NRSA63J-101X	MG RESISTOR 100Ω,1/16W
R2822		NRSA63J-470X	MG RESISTOR 47Ω,1/16W
R2823		NRSA63J-101X	MG RESISTOR 100Ω,1/16W
R2824		NRSA63J-101X	MG RESISTOR 100Ω,1/16W
R2825		NRSA63J-101X	MG RESISTOR 100Ω,1/16W
R2826		NRSA63J-101X	MG RESISTOR 100Ω,1/16W
R2828		NRSA63J-472X	MG RESISTOR 4.7kΩ,1/16W
R2829		NRSA63J-103X	MG RESISTOR 10kΩ,1/16W
R2830		NRSA63J-0R0X	MG RESISTOR 0Ω,1/16W
R2831		NRSA63J-0R0X	MG RESISTOR 0Ω,1/16W
R2832		NRSA63J-0R0X	MG RESISTOR 0Ω,1/16W
R2833		NRSA63J-0R0X	MG RESISTOR 0Ω,1/16W
R2841		NRSA63J-0R0X	MG RESISTOR 0Ω,1/16W
R2844		NRSA63J-0R0X	MG RESISTOR 0Ω,1/16W
R2845		NRSA63J-0R0X	MG RESISTOR 0Ω,1/16W
R2848		NRSA63J-0R0X	MG RESISTOR 0Ω,1/16W
R2861		NRSA63J-103X	MG RESISTOR 10kΩ,1/16W
R2862		NRSA63J-391X	MG RESISTOR 390Ω,1/16W
R2883		NRSA63J-0R0X	MG RESISTOR 0Ω,1/16W
R2885		NRSA63J-0R0X	MG RESISTOR 0Ω,1/16W
C2802		NBE80JM-106X	T CAPACITOR 10μF,6.3V
C2821		NCB31EK-103X	CAPACITOR 0.01μF,25V
C2841		NCB31CK-683X	CAPACITOR 0.068μF,16V
C2842		NCB31CK-683X	CAPACITOR 0.068μF,16V
C2843		NCB31HK-102X	CAPACITOR 0.001μF,50V
C2844		NCB31HK-102X	CAPACITOR 0.001μF,50V
C2848		NCB31HK-472X	CAPACITOR 0.0047μF,50V
C2849		NCB31HK-472X	CAPACITOR 0.0047μF,50V
C2881		NCB31EK-103X	CAPACITOR 0.01μF,25V
C2882		NCB31EK-103X	CAPACITOR 0.01μF,25V
C2883		NCB31EK-103X	CAPACITOR 0.01μF,25V
L2801		NQR0129-002X	FERRITE BEAD
L2821		NQR0006-001X	FERRITE BEAD
L2841		NQR0251-004X	FERRITE BEAD
L2842		NQR0251-004X	FERRITE BEAD
L2843		NQR0251-004X	FERRITE BEAD
L2844		NQR0251-004X	FERRITE BEAD
L2845		NQR0251-004X	FERRITE BEAD
J301		NNZ0038-001X	D CONNECTOR,PRINTER,A,B
		NNZ0056-001X	D CONNECTOR,PRINTER,C,D
J302		QNS0012-001	3.5 JACK,HP
J303		QNS0078-001	3.5 JACK,AV

#	△ REF No.	PART No.	PART NAME, DESCRIPTION
		CN301	QGF0301F1-45X FPC CONNECTOR
		CN302	NNZ0042-001X SD CARD CONNECTOR
		CN303	QGF0501F1-11X FPC CONNECTOR
		CN304	QGA1201F2-02X CONNECTOR
	△	BT301	QAB0020-001 LI BATTERY

EJECT BOARD ASSEMBLY <08>

PW2	YB10305A2-01	EJECT BOARD ASSY
R2421	NRSA63J-103X	MG RESISTOR 10kΩ,1/16W
R2424	NRSA63J-103X	MG RESISTOR 10kΩ,1/16W
R2425	NRSA63J-103X	MG RESISTOR 10kΩ,1/16W
S2421	NSW0094-001X	DETECT SWITCH,EJECT SW
CN2421	QGF0512C1-12X	FPC CONNECTOR
CN2422	QGF0501F2-13X	FPC CONNECTOR

DECK OPE. BOARD ASSEMBLY <09>

PW3	YB10305A3-02	DECK OPE.BOARD ASSY
R2432	NRSA63J-152X	MG RESISTOR 1.5kΩ,1/16W
R2433	NRSA63J-182X	MG RESISTOR 1.8kΩ,1/16W
R2434	NRSA63J-272X	MG RESISTOR 2.7kΩ,1/16W
R2437	NRSA63J-152X	MG RESISTOR 1.5kΩ,1/16W
R2438	NRSA63J-182X	MG RESISTOR 1.8kΩ,1/16W
R2439	NRSA63J-272X	MG RESISTOR 2.7kΩ,1/16W
R2440	NRSA63J-0R0X	MG RESISTOR 0Ω,1/16W
R2441	NRSA63J-0R0X	MG RESISTOR 0Ω,1/16W
R2442	NRSA63J-0R0X	MG RESISTOR 0Ω,1/16W
R2443	NRSA63J-0R0X	MG RESISTOR 0Ω,1/16W
R2444	NRSA63J-0R0X	MG RESISTOR 0Ω,1/16W
R2445	NRSA63J-0R0X	MG RESISTOR 0Ω,1/16W
C2431	NCB31EK-103X	CAPACITOR 0.01μF,25V
S2431	NSW0145-001X	TACT SWITCH,STOP
S2432	NSW0145-001X	TACT SWITCH,REW
S2433	NSW0145-001X	TACT SWITCH,PB
S2434	NSW0145-001X	TACT SWITCH,FF
S2435	NSW0145-001X	TACT SWITCH,P MEDIA
S2436	NSW0071-001X	DETECT SWITCH,MONI OPEN
CN2431	QGF0517F1-08X	FPC CONNECTOR
CN2432	QGF0517F1-06X	FPC CONNECTOR

CCD BOARD ASSEMBLY <10>

PW	YB10307A-01	CCD BOARD ASSY
Q5201	2SC3935/Q/-X	TRANSISTOR
R5201	NRSA63J-122X	MG RESISTOR 1.2kΩ,1/16W
C5202	NCF31EZ-104X	CAPACITOR 0.1μF,25V
C5203	NBE41AM-476X	T CAPACITOR 47μF,10V
C5204	NCB31CK-104X	CAPACITOR 0.1μF,16V
C5205	NCB31CK-104X	CAPACITOR 0.1μF,16V
C5206	NBZ0003-475X	T CAPACITOR 4.7μF
C5207	NCF31EZ-104X	CAPACITOR 0.1μF,25V
C5208	NCB31HK-222X	CAPACITOR 0.0022μF,50V
C5209	NCB21EK-104X	CAPACITOR 0.1μF,25V
WR1	WJR0018-001A	E-SH C WIRE C-F,CCD OUT-MAIN CN101